

San Joaquin County Department of Public Works
NORTH COUNTY RECYCLING CENTER AND SANITARY LANDFILL

Owned and Operated by San Joaquin County Since November 1, 1991

PRICE SHEET - Effective January 1, 2025

SITE INFORMATION:

LOCATION: 17720 East Harney Lane, east of Jack Tone Road, Lodi, California 95240

PHONE: Site: (209) 887-3868 / (209) 887-3238 (FAX)

For questions regarding these rates, please call 209-468-3066.

HOURS: Open 7 days a week - 7:00 am to 4:00 pm for all customers.

(Operating hours will be strictly followed. No exceptions.)

Closed: New Year's Day, Easter Sunday, Thanksgiving Day, and Christmas Day

SIZE: 320 Acres

CLOSURE: 2065

Daily Peak Permitted Waste Quantity 1,200 Tons

Annual Waste Received (2023) 292,249 Tons

Average Daily Waste Received (2023) 809 Tons

PREFERRED FORMS OF PAYMENT:

Credit or Debit cards, or business checks with preprinted business information only. **No cash accepted.**

ACCEPTABLE WASTE:

Commercial and household waste; construction/demolition waste; agricultural waste; large dead animals; white goods such as refrigerators, freezers, and A/C units; tires; small pickup loads of soil or gravel; used cooking oil from homeowners only (no commercial); large bulky items/hard-to-handle materials. Oil filters (Limit 12).

UNACCEPTABLE WASTE:

Septic tank waste; toxic materials; drums larger than 5 gallons; infectious waste; liquid waste; cannery waste; hazardous waste; ammonia refrigerant units; large loads of soil or gravel; burned wastes.

RATES

Customers with UNCOVERED/UNSECURED LOADS must pay a double disposal fee or purchase a tarp.

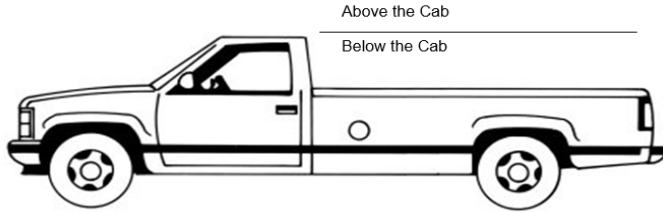
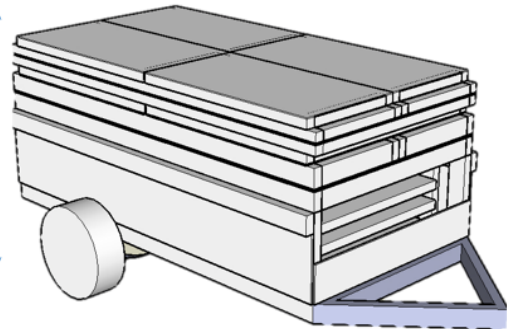
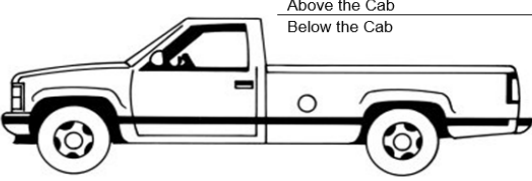
VEHICLE RATES/MINIMUM FEES: (Based on vehicle type and not on the amount of refuse contained in vehicle)

Automobiles.....	\$17.50
Pickups with bed less than 8' in length (if load is at or below cab level).....	\$22.00
Pickups with bed less than 8' in length (if load is above cab level)	\$28.00
Pickups with bed 8' in length (if load is at or below cab level)	\$31.50
Pickups with bed 8' in length (if load is above cab level).....	\$43.00
Trailers 8' or less in length (if load is at or below cab level)	\$31.50
Trailers 8' or less in length (if load is above cab level).....	\$43.00
Vans 8' or less from the last seat to the rear	\$30.00

ALL OTHER VEHICLES:

Vehicles Charged by Weight (Per Ton)..... \$58.89 per Ton (Minimum charge at \$31.50)

Vehicles Charged by Cubic Yard (when scales are down)..... \$18.50 per Cubic Yard

 <p style="text-align: center;">LARGE TRUCK – BED IS 8' IN LENGTH</p>					
 <p style="text-align: center;">SMALL TRUCK – BED IS LESS THAN 8' IN LENGTH</p>	<table border="1" style="width: 100%; border-collapse: collapse;"> <tr> <td style="padding: 2px;"> 6' - 8' IN HEIGHT=Below Cab 8' - 10' IN HEIGHT=Above Cab LESS THAN OR EQUAL TO 8' LENGTH* </td> <td style="padding: 2px;"> ≥10' IN HEIGHT = CHARGED BY WEIGHT GREATER THAN 8' LENGTH* </td> </tr> <tr> <td colspan="2" style="padding: 2px; text-align: center;"> *All Trailers Over 8' In Any Direction Charged By Weight </td> </tr> </table>	6' - 8' IN HEIGHT=Below Cab 8' - 10' IN HEIGHT=Above Cab LESS THAN OR EQUAL TO 8' LENGTH*	≥10' IN HEIGHT = CHARGED BY WEIGHT GREATER THAN 8' LENGTH*	*All Trailers Over 8' In Any Direction Charged By Weight	
6' - 8' IN HEIGHT=Below Cab 8' - 10' IN HEIGHT=Above Cab LESS THAN OR EQUAL TO 8' LENGTH*	≥10' IN HEIGHT = CHARGED BY WEIGHT GREATER THAN 8' LENGTH*				
*All Trailers Over 8' In Any Direction Charged By Weight					

NORTH COUNTY RECYCLING CENTER AND SANITARY LANDFILL RATES (Continued)

SPECIAL CHARGES (Proof of San Joaquin County Residency is required for special waste at no charge)

Tires

Motorcycle Tires.....	Mounted \$7.25 ea./Unmounted \$6.25 ea.
Passenger Tires or Smaller.....	Mounted \$7.25 ea./Unmounted \$6.25 ea.
Truck Tires.....	Mounted \$11.75 ea./Unmounted \$9.75 ea.
Residents: Motorcycle, passenger, small truck tires	Four (4) Per Trip @ No Charge
Truck Tires: Larger than 12.00 x 24	\$17.50 ea.
Farm Tractor Tires: No larger than 17.5 x 24	\$19.75 ea.
Loader Tires: No larger than 23.5 x 25	\$164.00 ea.
Earth Moving Tires: Larger than 23.5 x 25	\$492.25 ea.

Appliances (e.g., A/C Units, Freezers, Refrigerators)

Residents:.....	Two (2) Per Trip @ No Charge
Residents: Additional or Unemptied units per load, any combination.....	\$19.25 ea.
Businesses/Non-Residents: Units per load, any combination.....	\$19.25 ea.

E-Waste (e.g., TVs/CRTs/Computer Monitors)

Residents:	Four (4) Per Trip @ No Charge
Residents: Additional units per load, any combination	\$23.00 ea.
Businesses/Non-Residents: Units per load, any combination	\$23.00 ea.

Mattress or Box Spring

Residents:	Ten (10) Per Trip @ No Charge
Residents: Additional units per load.....	\$19.25 ea.
Businesses/Non-Residents: Normal weighed waste fees apply to entire load, up to limit of 30 units.....	\$58.89 per ton. (Minimum charge at \$31.50)

E-Waste/U-Waste (e.g., Fluorescents/Batteries/Electronics)

Residents:.....	Combined Nine (9) Per Trip @ No Charge. No additional units accepted.
-----------------	--

SPECIAL HANDLING FEES:

Large Bulky Items/Hard-to-Handle\$119.83 per ton.(Minimum charge at \$31.50)

Items including but not limited to: RV trailers, mobile homes (remove thermostats and appliances, dismantle the camper trailer into small sections, and bring a Junk Slip from DMV), camper shells; cab-over campers (remove all thermostats and appliances), boats, large concrete, wire, tree stumps, large/long pipes, drip hoses, large wooden/metal beams, pressure treated wood, and creosote coated wood.

Dead Animals \$130.73 per ton. (Minimum charge at \$31.50)

Environmental Health Permit/Waiver may be required (Call 209-468-3420), must call site in advance.

(For more information, please visit the County's website at www.SJCreycle.org)