

**QUESTIONS AND ANSWERS**  
**REQUEST FOR PROPOSALS**  
**CONSTRUCTION QUALITY ASSURANCE SERVICES FOR**  
**AREA 7 AT THE NORTH COUNTY SANITARY LANDFILL**  
**SJCDPW-RFP-25-01**  
**March 7, 2025**

**Question #1:** Section 4.0 of RFP specifies page limit for proposal at 50 double-sided, 8- 1/2x11” pages or equivalent to total 100 single sided pages. Please confirm. Also, how will the 11x17” pages be counted - 1 page or 2 pages?

If we submit electronically through BidExpress, is the page limit 100 pages since the limit for printed proposals is 50 double-sided pages?

Do resumes count in the page limit?

**Answer #1:** *Yes, the total page maximum is 50 double-sided pages or 100 single-sided pages at 8.5 x 11. 11x17 is counted as 1 page and please limit the use of 11x17 size.*

*The 50 pages limit applies to both hard copy and BidExpress submittal.*

*Resumes are counted toward the 50 pages limit.*

**Question #2:** Section 1.0 Introduction of RFP specifies work on site at 80 working days (August 1, 2025, to December 1, 2025) and work on site finished at 120 working days. Section 7.1-CQA firm Selection Schedule shows Consultant Notice to Proceed on June 4,2025 and Consultant Starts Work- First Full Week on June 30, 2025. What are the activities for CQA Consultant between June 30 and August 1, 2025? How do we assume the time (hours) for the period June 30-August 1, 2025, in the Project Schedule?

**Answer #2:** *It will be up the CQA firm’s decision on what activities to perform for the month of July. CQA firm could perform mobilization or construction preparation activity but it will entirely be up to the CQA firm’s decision.*

**Question #3:** •Will leak detection services be subcontracted through the consultant or the County?

**Answer #3:** *Leak detection services will be subcontracted through the consultant.*

**Question #4:** Will the consultant be required to use subcontracted services such as laboratories and leak detection services that are on only an approved list with the County?

**Answer #4:** *CQA consultants can use their own subconsultants. CQA consultant will be responsible for the leak detection and the contractor will be responsible for giving support to do the tests.*

**Question #5:** Will weekend work be required or anticipated?

**Answer #5:** *Saturdays will be available to contractors so weekend work is an option, especially if complications come up.*

**Question #6:** Will the County provide the electrical hook up once the site trailer is mobilized? Similarly, will the County provide earthwork necessary to meet the requirements of the trailer placement, e.g., flat and level pad?

**Answer #6** *Yes, County will provide electrical hook up and earthwork necessary for trailer placement.*

**Question #7:** Will the County provide internet/WiFi access for the trailer?

**Answer #7:** *No County will not provide internet.*

**Question #8:** Can the County provide earthwork component volumes of earthwork or a cut/fill map?

**Answer #8:** *Yes the County can provide an earthwork cut/fill map.*

**Question #9:** Will the County have a Construction Manager on site or only a Resident Engineer? Will this person(s) be on site daily during the duration of the project or available on a daily basis as needed for project related construction items?

**Answer #9:** *No, County will not have a Construction Manager onsite. County will only have a Resident Engineer available for this Project.*

**Question #10:** Electrical and mechanical component information are not included within the bid package. Will this data be available for review prior to submittal of the proposal?

**Answer #10:** *Yes, please see attached.*

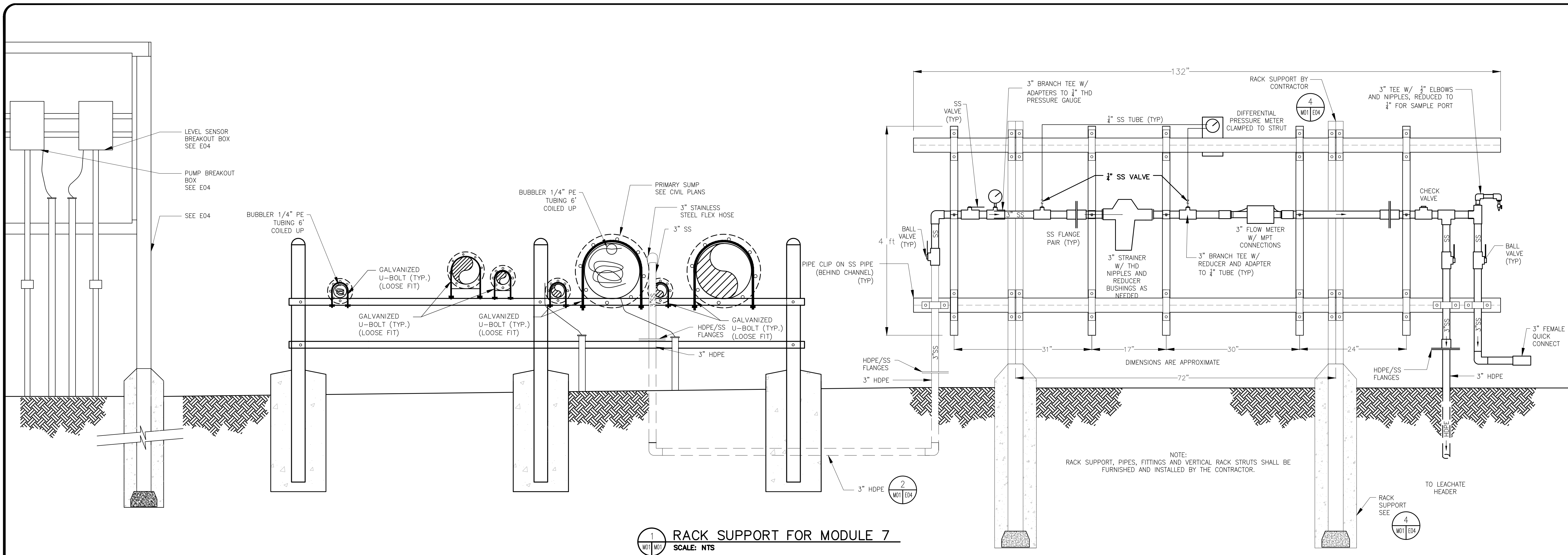
**Question #11:** For the electrical and mechanical components, will the Resident Engineer (County) be responsible for acceptance of the components? Does the County require specific certification from the CQA firm for inspection of related components?

**Answer #11:** *Yes, Resident Engineer will be responsible for accepting the components.*

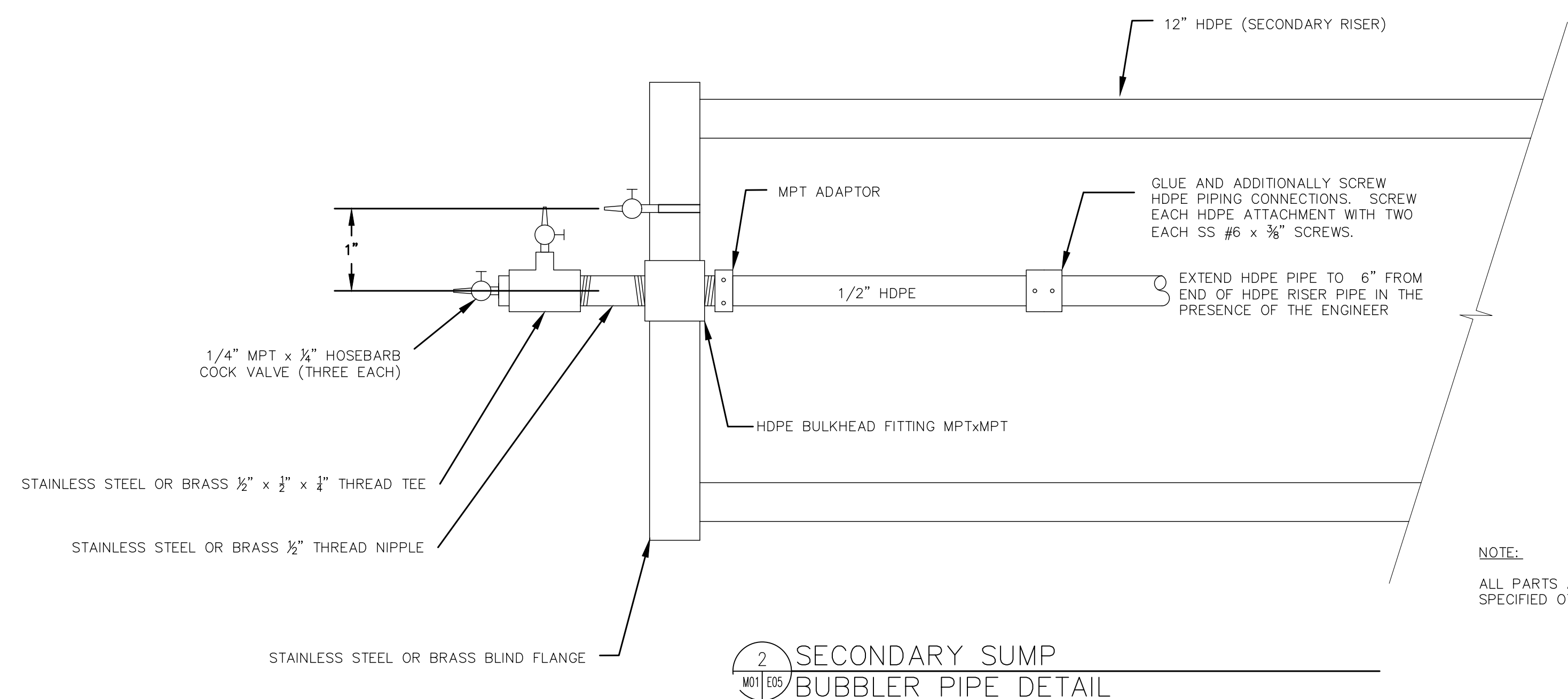
**Question #12:** What is the required testing – field and laboratory for the temporary basin construction (it is all cut) including access ramps and surface completion? It is not called out in the CQA plan.

**Answer #12:** *No, tests will be required for the basin but compaction testing will be needed on the access ramps.*

N:\SAN JOAQUIN\NORTH COUNTY LFAU24.1294 NC MODULE 7 LINER AND PHASE 1 CLOSURE\4\_CAD\M01 MECHANICAL DETAILS.DWG March 6, 2025 - 1:58 PM BY: GLA USER



1 RACK SUPPORT FOR MODULE 7  
SCALE: NTS



2 SECONDARY SUMP BUBBLER PIPE DETAIL

This drawing has not been published but rather has been prepared by Geo-Logic Associates, Inc. for use by the client named in the title block, solely in respect of the construction operation, and maintenance of the facility named in the title block. Geo-Logic Associates, Inc. shall not be liable for the use of this drawing on any other facility or for any other purpose.

REV. NO.	DATE	DESCRIPTION	APPROVED BY
A	3/05/2025	ISSUED FOR CONSTRUCTION	JVR

DATE OF ISSUE: 3/05/2025  
 DESIGNED BY: RDD  
 DRAWN BY: PLA  
 CHECKED BY: JVR  
 APPROVED BY: JVR



143E Spring Hill Drive, Grass Valley, CA 95945  
 geo-logic.com | 530.272.2448



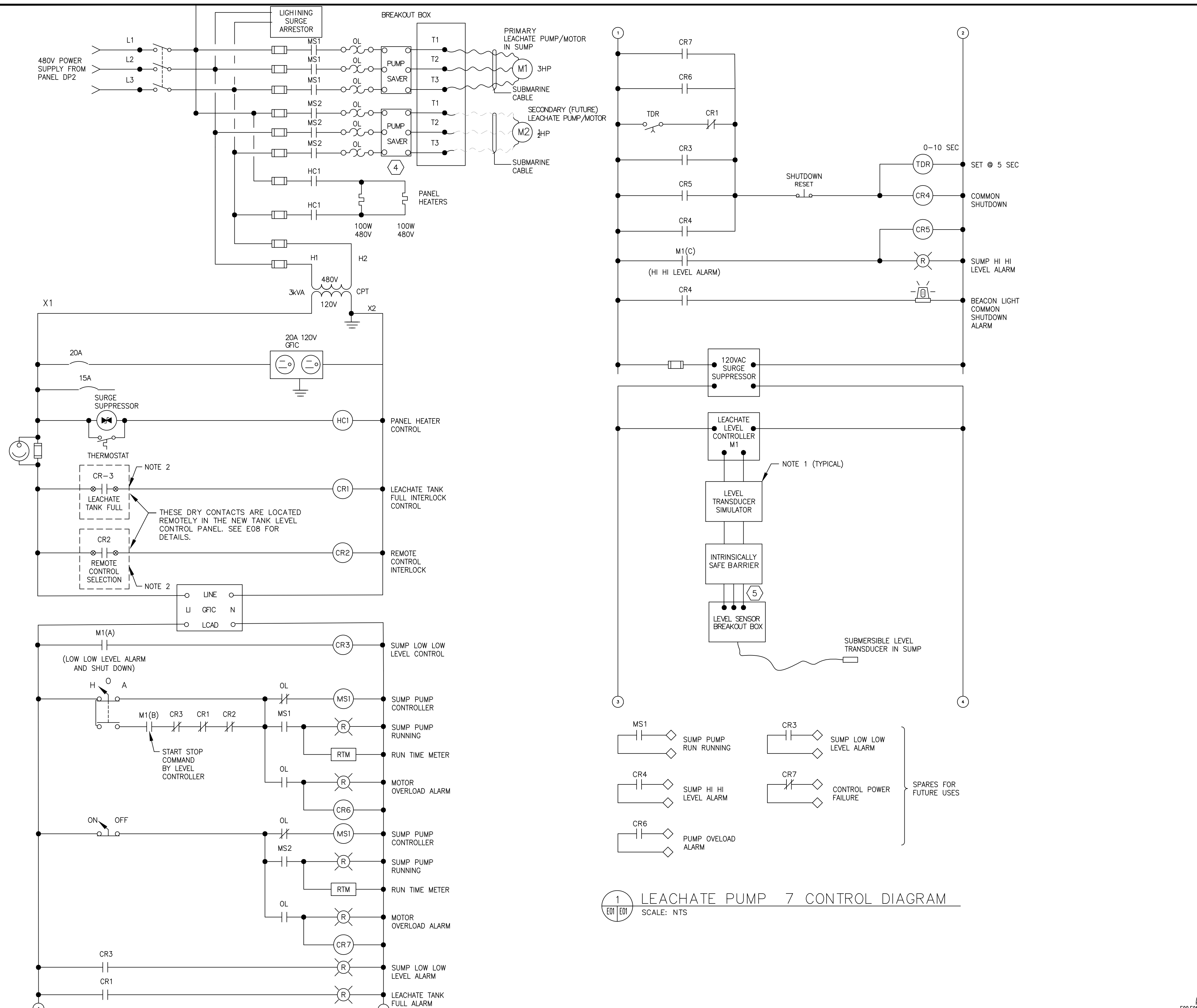
SAN JOAQUIN COUNTY  
 DEPARTMENT OF PUBLIC WORKS  
 SOLID WASTE

NORTH COUNTY SANITARY LANDFILL  
**CONSTRUCTION OF MODULE 7**  
 SAN JOAQUIN COUNTY, CALIFORNIA  
**MECHANICAL DETAILS**

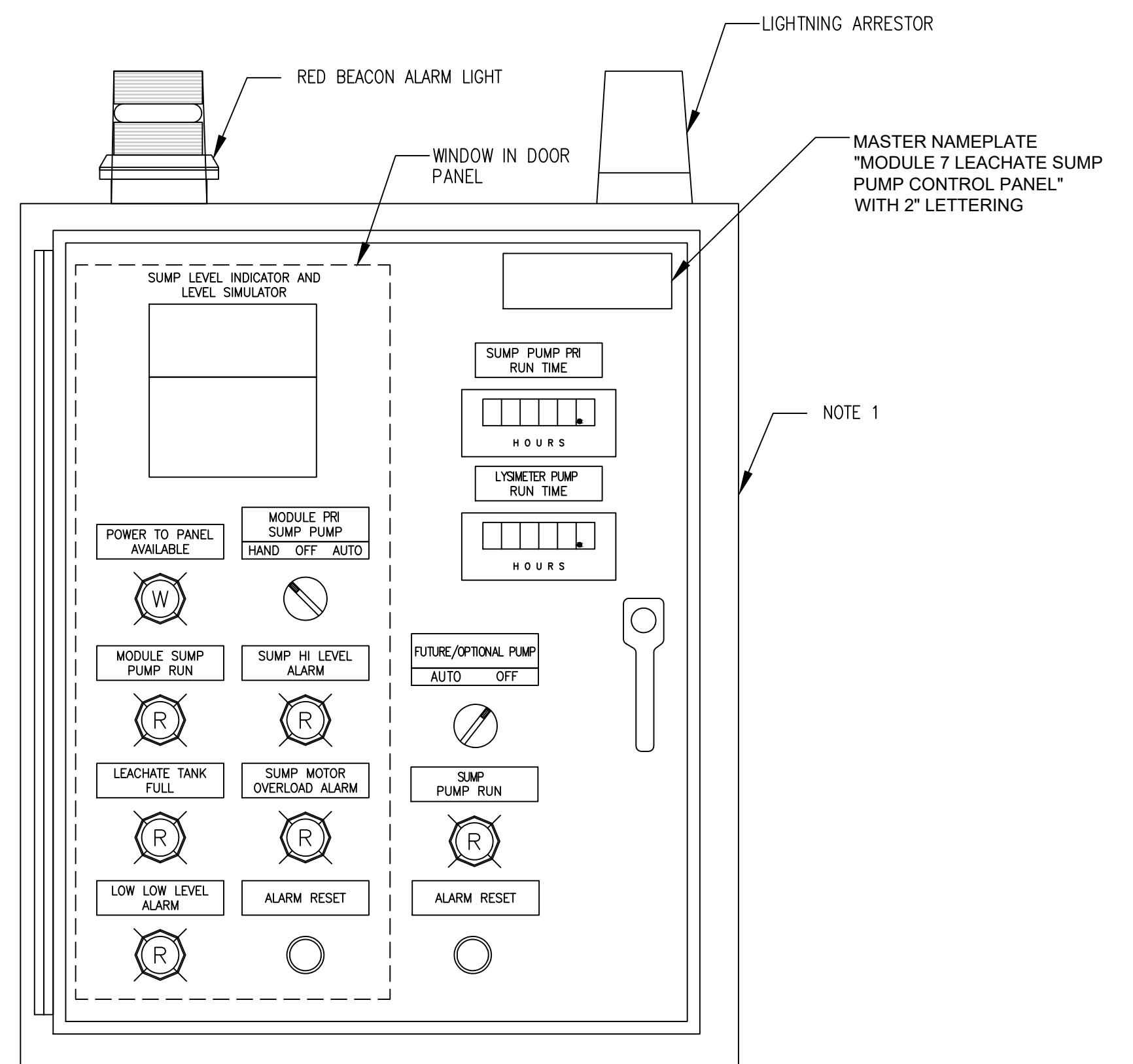
ISSUED FOR CONSTRUCTION

DRAWING NO. **M01**  
 PROJECT NO. AU24.1294.00

N:\SAN JOAQUIN\NORTH COUNTY\LAU24.1294\NC MODULE 7 LINER AND PHASE 1 CLOSURE4\_CAD\E01 ELECTRICAL DETAILS.DWG March 6, 2025 - 2:56 PM BY: GLA USER



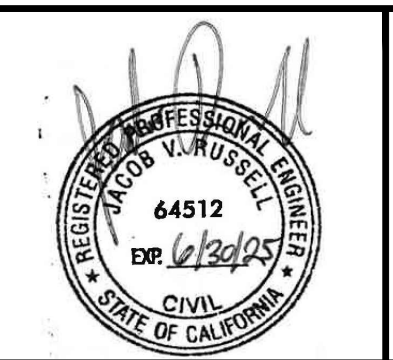
- SHEET NOTES:**
- 1 THE PANEL SHALL BE A NEMA 4 (WEATHER PROOF, RAIN PROOF, AND CORROSIVE RESISTANT). DO NOT INSTALL ANY OTHER SCREW WHICH MAY PREVENT QUICK OPENING OF THE PANEL. SIZE OF THE PANEL SHALL BE AS REQUIRED BY INTERNAL COMPONENTS SPECIFIED.
  - 2 THE PANEL SHALL BE UL508 LISTED AND LABELED BY THE MANUFACTURER.
  - 3 SEE CONTROL SCHEMATIC DIAGRAM FOR COMPLETE INTERNAL COMPONENTS REQUIRED FOR PUMP CONTROL.
  - 4 A PUMP SAVER MAY BE A SEPARATE UNIT, OR BE ADDED SENSOR TO CONTROL MS2 MOTOR STARTER.
  - 5 INTRINSICALLY SAFE WIRING MUST MAINTAIN A 5 INCH SEPARATION WITH ALL OTHER WIRING.
  - 6 UNLESS OTHERWISE NOTED, ALL DEVICES ARE LOCATED IN THE PUMP CONTROL PANEL.
  - 7 SEE DRAWING E08.



This drawing has not been published but rather has been prepared by Geo-Logic Associates, Inc. for use by the client named in the title block, solely in respect of the construction operation, and maintenance of the facility named in the title block. Geo-Logic Associates, Inc. shall not be liable for the use of this drawing on any other facility or for any other purpose.

REV. NO.	DATE	DESCRIPTION	APPROVED BY
A	3/05/2025	ISSUED FOR CONSTRUCTION	JVR

DATE OF ISSUE: 3/05/2025  
 DESIGNED BY: RDD  
 DRAWN BY: PLA  
 CHECKED BY: JVR  
 APPROVED BY: JVR



**Geo-Logic ASSOCIATES**

143E Spring Hill Drive, Grass Valley, CA 95945  
 geo-logic.com | 530.272.2448

**SAN JOAQUIN COUNTY**

SAN JOAQUIN COUNTY  
 DEPARTMENT OF PUBLIC WORKS  
 SOLID WASTE

NORTH COUNTY SANITARY LANDFILL  
**CONSTRUCTION OF MODULE 7**  
 SAN JOAQUIN COUNTY, CALIFORNIA  
**PUMP CONTROL SCHEMATIC DIAGRAMS**

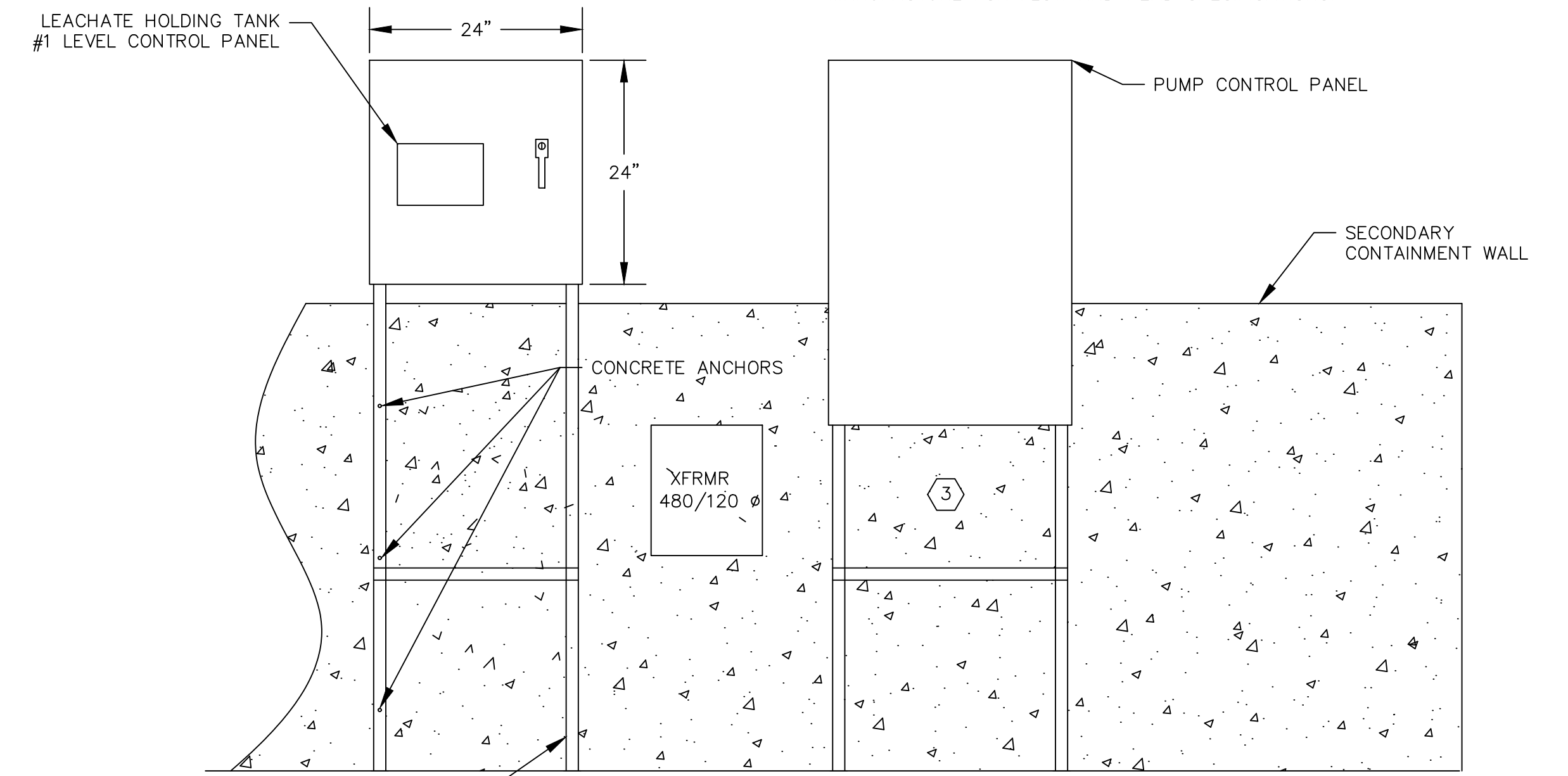
**DRAWING NO. E01**  
 PROJECT NO. AU24.1294.00

**ISSUED FOR CONSTRUCTION**

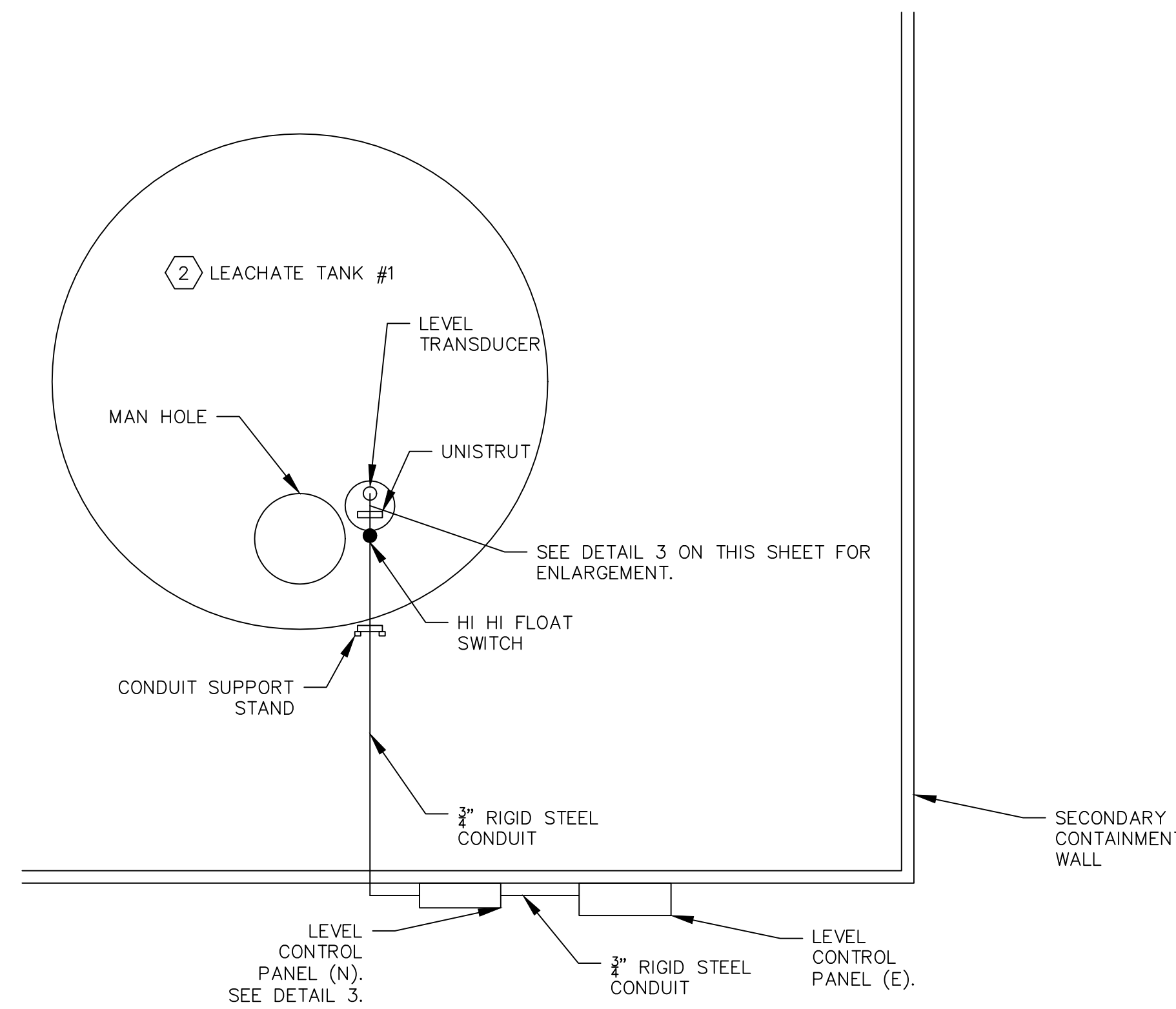
N:\SAN JOAQUIN\NORTH COUNTY LFA\24.1294 NC MODULE 7 LINER AND PHASE 1 CLOSURE\4\_CAD\E01 ELECTRICAL DETAILS.DWG March 6, 2025 - 2:56 PM BY: GLA USER

**SHEET NOTES:**

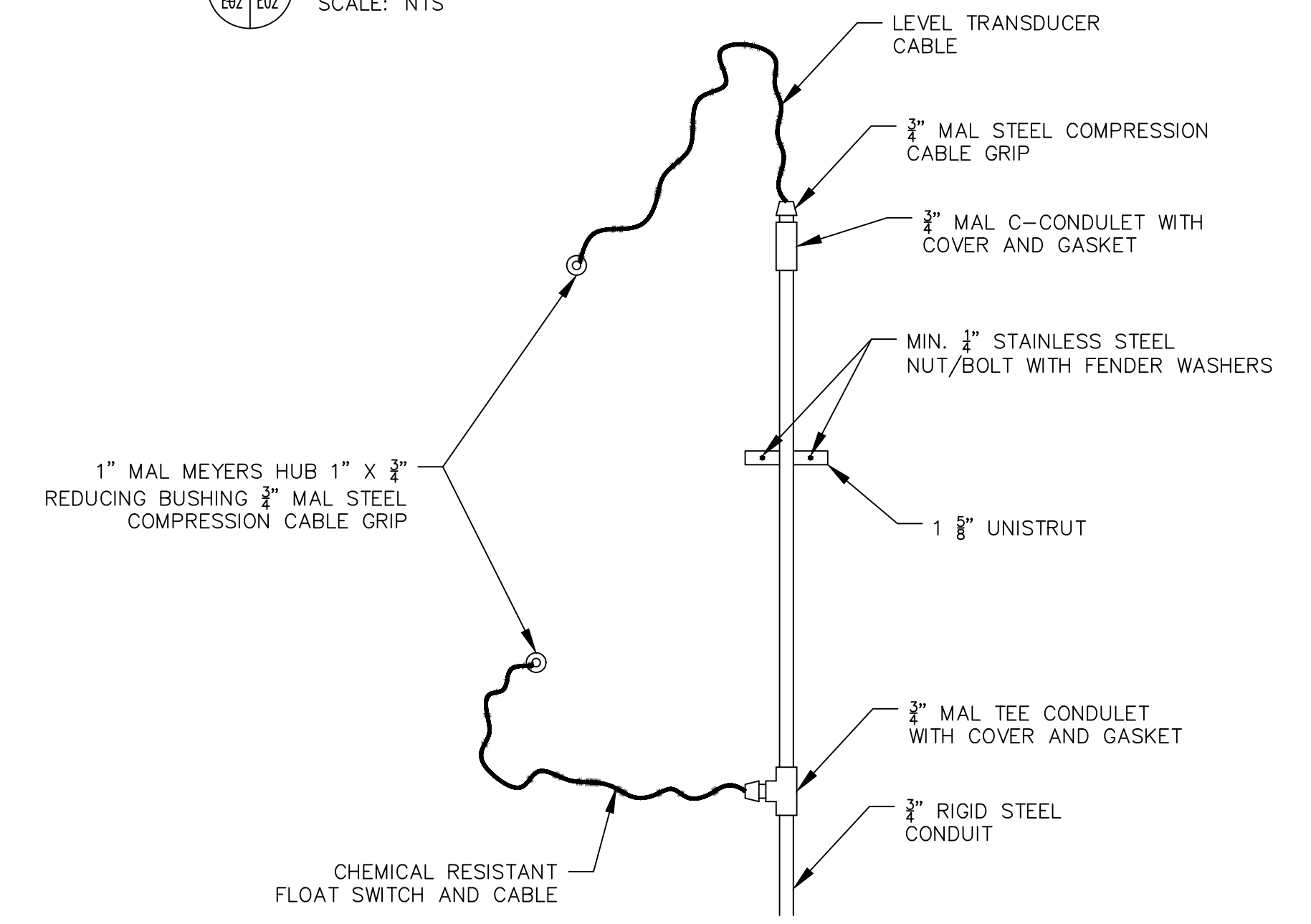
- ① SEE DETAILS OF THIS PUMP CONTROL PANEL SHOWN ON DRAWING E-4.
- ② CLASS 1 DIVISION 2 HAZARDOUS LOCATION INSIDE OF LEACHATE TANK.
- ③ CONDUITS NOT SHOWN.
- ④ ACTUAL PUMP HORSE POWER TO BE DETERMINED BY PUMP MANUFACTURE FOR FLOW AND HEAD SPECIFICATIONS.



① TANK #1 LEVEL CONTROL PANEL  
SCALE: NTS



② PLAN VIEW OF LEACHATE TANK #1  
SCALE: NTS

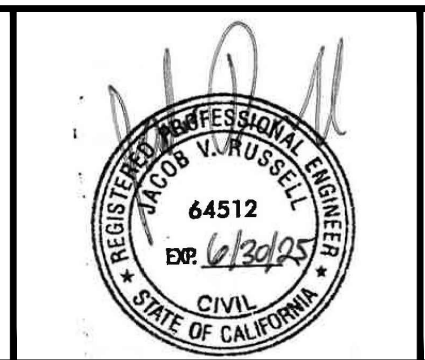


③ LEVEL PROBES PENETRATION  
SCALE: NTS

This drawing has not been published but rather has been prepared by Geo-Logic Associates, Inc. for use by the client named in the title block, solely in respect of the construction operation, and maintenance of the facility named in the title block. Geo-Logic Associates, Inc. shall not be liable for the use of this drawing on any other facility or for any other purpose.

REV. NO.	DATE	DESCRIPTION	APPROVED BY
A	3/05/2025	ISSUED FOR CONSTRUCTION	JVR

DATE OF ISSUE: 3/05/2025  
 DESIGNED BY: RDD  
 DRAWN BY: PLA  
 CHECKED BY: JVR  
 APPROVED BY: JVR



**Geo-Logic ASSOCIATES**

143E Spring Hill Drive, Grass Valley, CA 95945  
 geo-logic.com | 530.272.2448

**SAN JOAQUIN COUNTY**  
 DEPARTMENT OF PUBLIC WORKS  
 SOLID WASTE

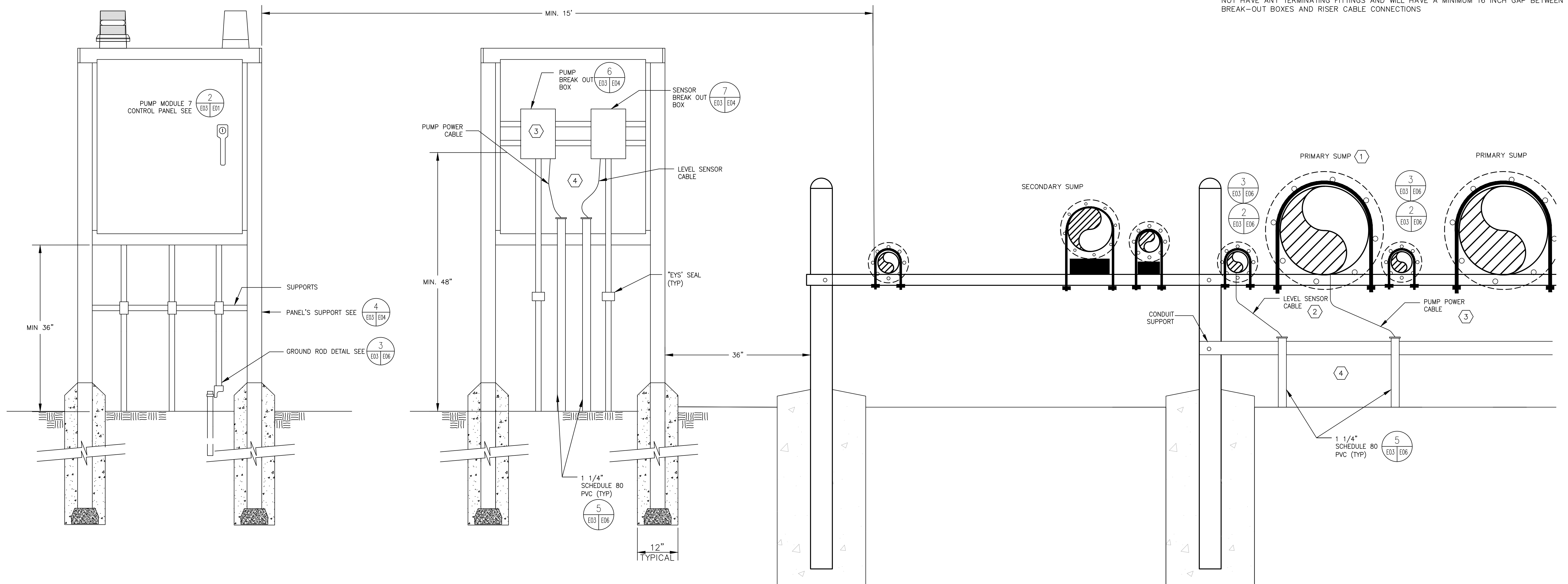
NORTH COUNTY SANITARY LANDFILL  
**CONSTRUCTION OF MODULE 7**  
 SAN JOAQUIN COUNTY, CALIFORNIA  
**ELECTRICAL DETAILS**

DRAWING NO.  
**E02**  
 PROJECT NO.  
 AU24.1294.00

**ISSUED FOR CONSTRUCTION**

SHEET NOTES:

- ① CLASS 1 DIVISION 2 HAZARDOUS LOCATION INSIDE 7.5 FOOT RADIUS OF ALL RISERS.
- ② 5 INCH SEPARATION SHALL BE MAINTAINED BETWEEN PUMP AND LEVEL SENSOR CABLES.
- ③ PROVIDE LABEL ON SUMP PUMP BREAKOUT BOX AND POINT OF CABLE CONNECTION AT RISER, "DISCONNECT POWER BEFORE HANDLING PUMP CABLE OR PUMP."
- ④ FACTORY PUMP POWER AND SENSOR CABLES 1-1/4 SCHED 80 PVC CONDUITS SHALL NOT HAVE ANY TERMINATING FITTINGS AND WILL HAVE A MINIMUM 16 INCH GAP BETWEEN BREAK-OUT BOXES AND RISER CABLE CONNECTIONS



① MODULE 7 PUMP CONTROL PANEL (FRONT)  
SCALE: NTS

② MODULE 7 PUMP BREAKOUT BOX PANEL  
SCALE: NTS

This drawing has not been published but rather has been prepared by Geo-Logic Associates, Inc. for use by the client named in the title block, solely in respect of the construction operation, and maintenance of the facility named in the title block. Geo-Logic Associates, Inc. shall not be liable for the use of this drawing on any other facility or for any other purpose.

ISSUED FOR CONSTRUCTION

REV. NO.	DATE	DESCRIPTION	APPROVED BY
A	3/05/2025	ISSUED FOR CONSTRUCTION	JVR

DATE OF ISSUE: 3/05/2025  
 DESIGNED BY: RDD  
 DRAWN BY: PLA  
 CHECKED BY: JVR  
 APPROVED BY: JVR



**Geo-Logic ASSOCIATES**

143E Spring Hill Drive, Grass Valley, CA 95945  
 geo-logic.com | 530.272.2448

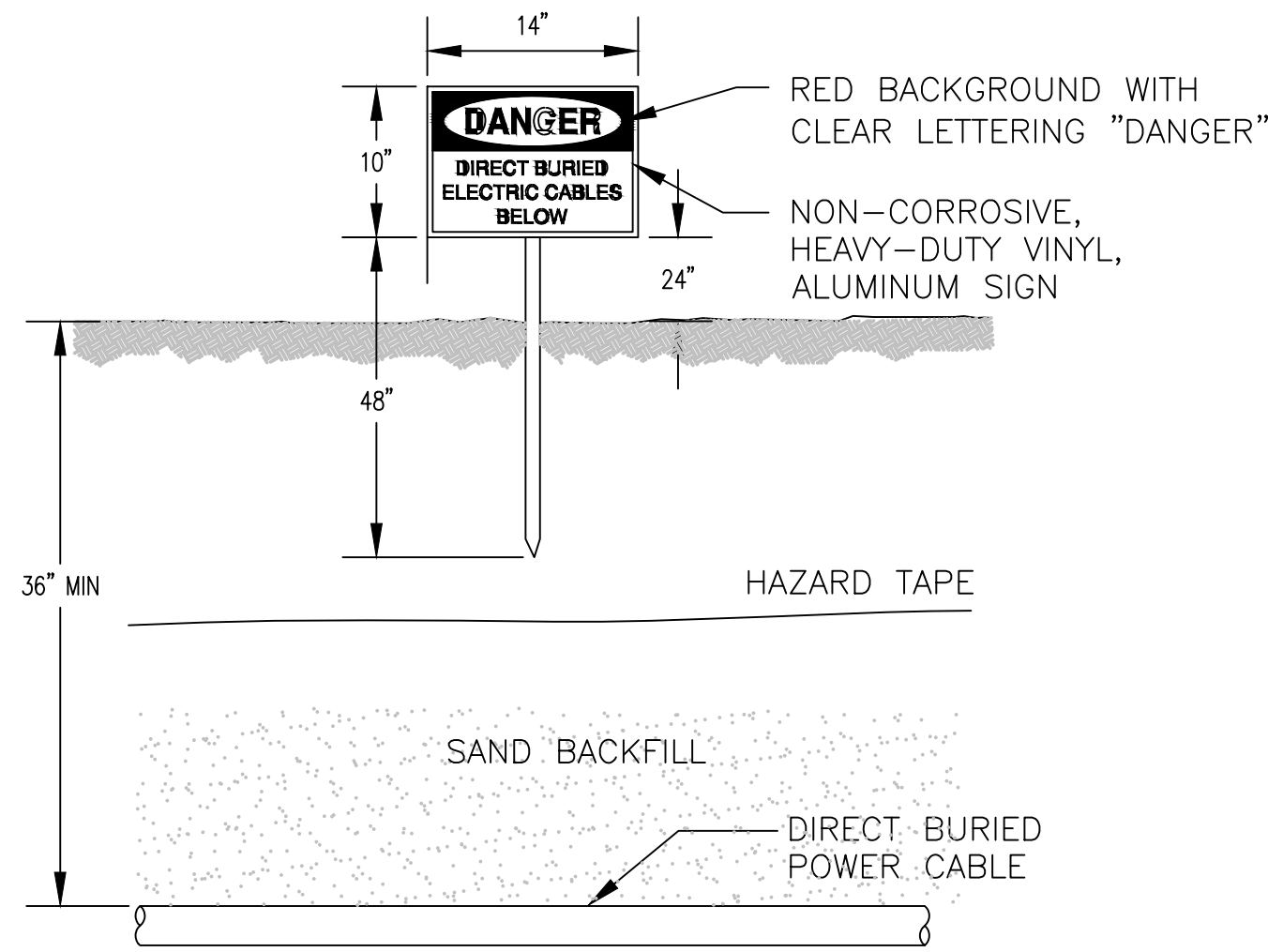
SAN JOAQUIN COUNTY

SAN JOAQUIN COUNTY DEPARTMENT OF PUBLIC WORKS  
 SOLID WASTE

NORTH COUNTY SANITARY LANDFILL  
**CONSTRUCTION OF MODULE 7**  
 SAN JOAQUIN COUNTY, CALIFORNIA  
**CONSTRUCTION DETAILS CONTROL PANELS**

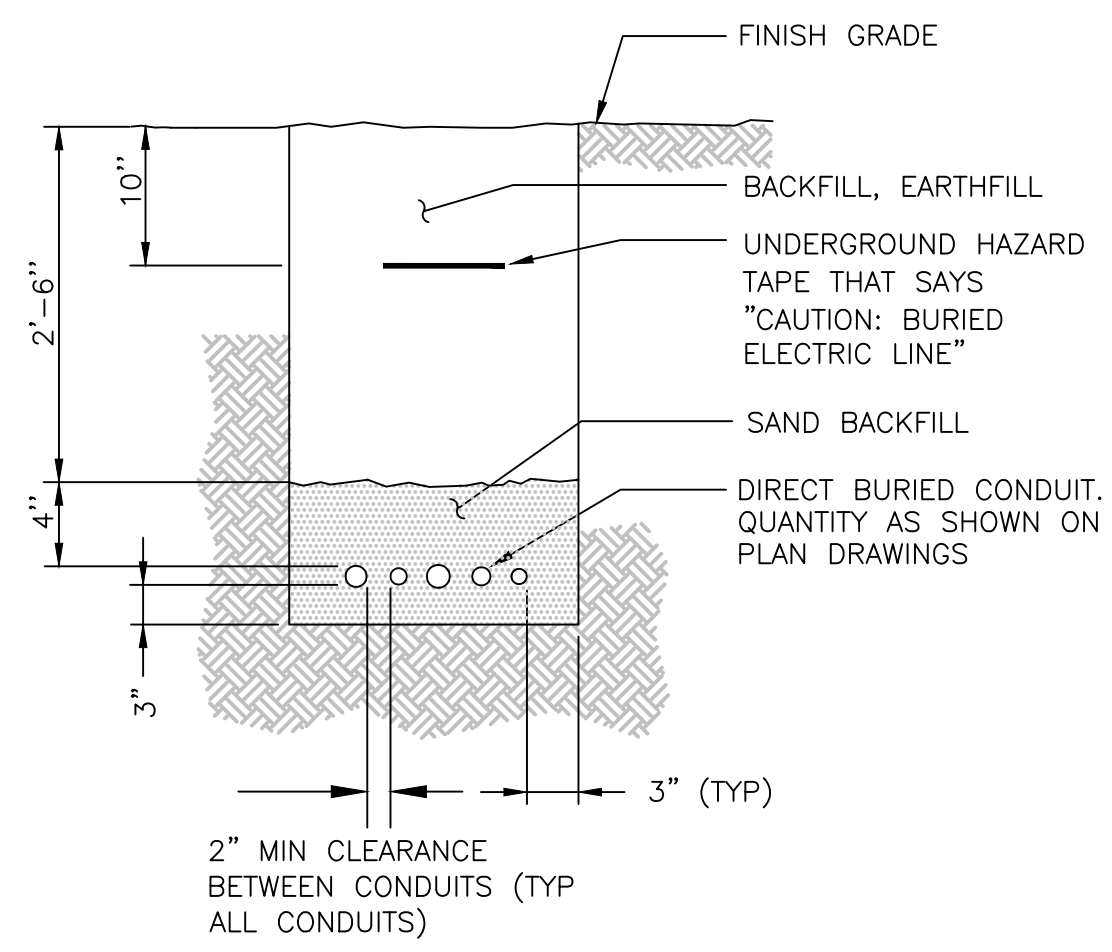
DRAWING NO. **E03**  
 PROJECT NO. AU24.1294.00

N:\SAN JOAQUIN\NORTH COUNTY\LA\24\1294\NC MODULE 7 LINER AND PHASE 1 CLOSURE\4\_CAD\01 ELECTRICAL DETAILS.DWG March 6, 2025 - 2:56 PM BY: GLA USER



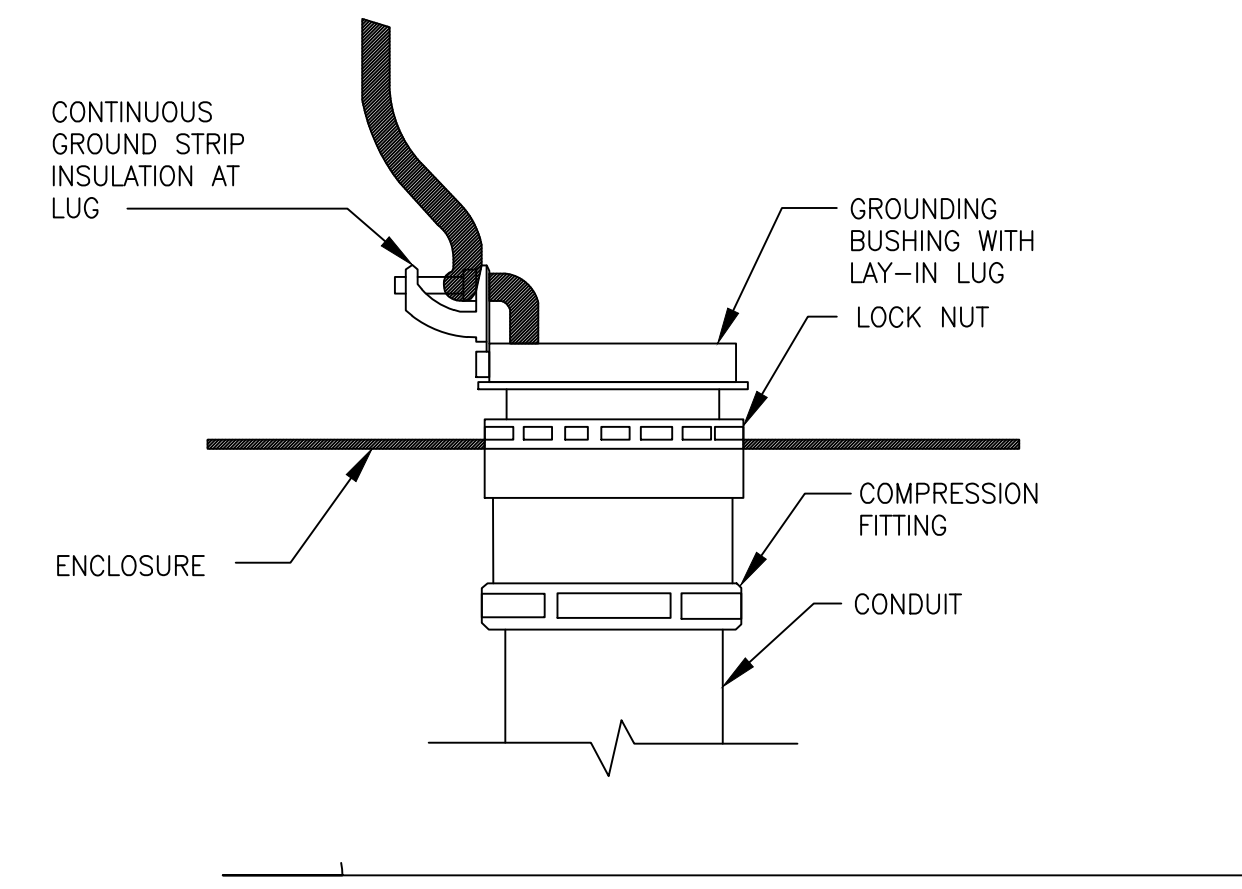
- NOTES:**
1. PROVIDE ONE SIGN FOR EVERY 100 FEET OF DIRECT BURIED POWER CABLE AND AT LOCATIONS AS DIRECTED BY ENGINEER.

**1 DIRECT BURIED ELECTRICAL POWER LINE WARNING SIGN**  
SCALE: NTS

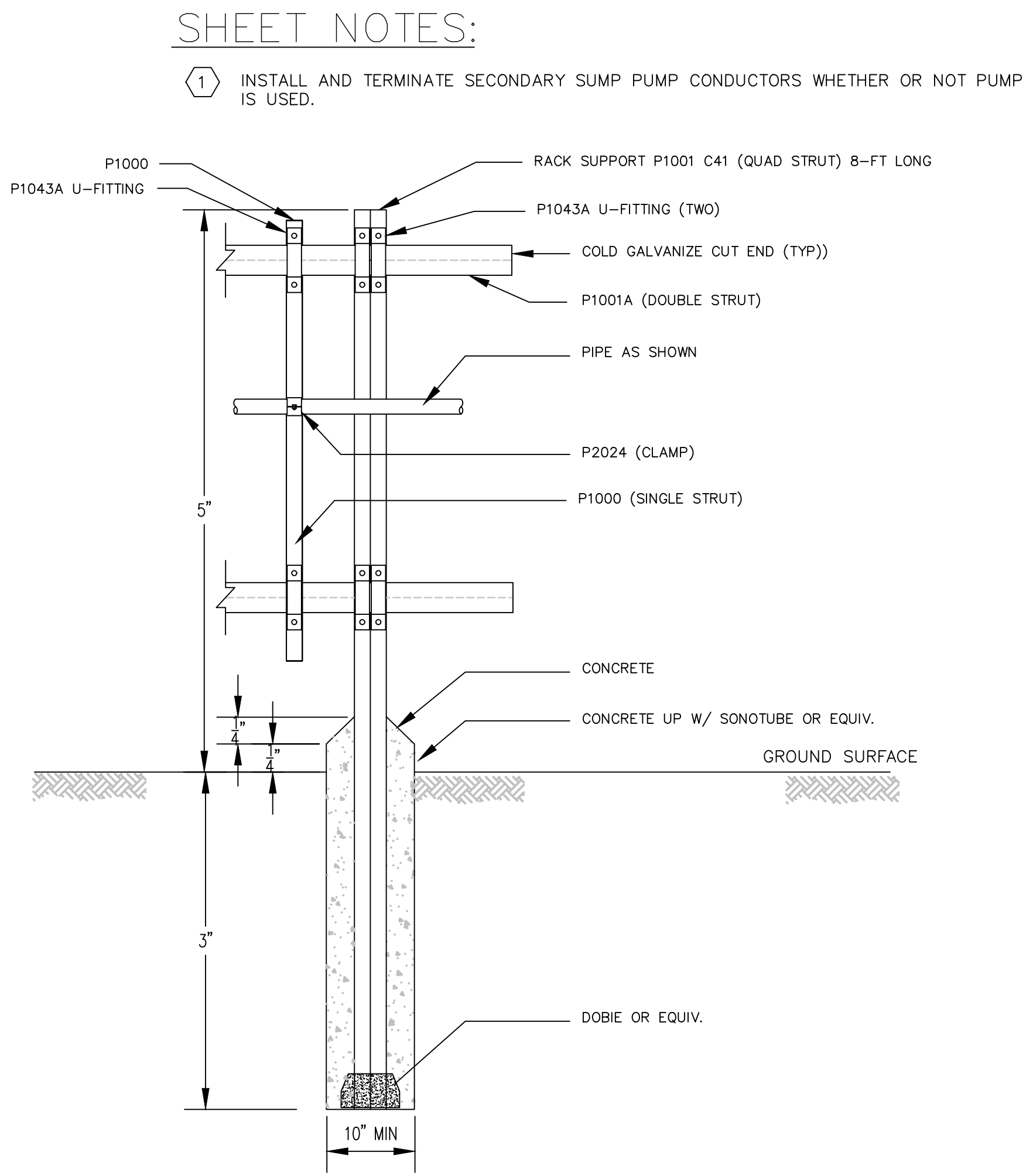


- NOTES:**
1. ALL DIMENSIONS ARE MINIMUM UNLESS OTHERWISE INDICATED ON THE DRAWINGS.
  2. REFER TO SPECIFICATIONS FOR TRENCH BACKFILL REQUIREMENTS.
  3. BACKFILL SAND SHALL BE CLEAN WITH NO CLAY OR ORGANIC MATERIALS. IT SHALL BE 95% DRY-IN-PLACE DENSITY AS PER ASTM D-1557. IT SHALL BE QUAIL HALLOW UTILITY TRENCH SAND OR PECKER ISLAND FILL SAND.

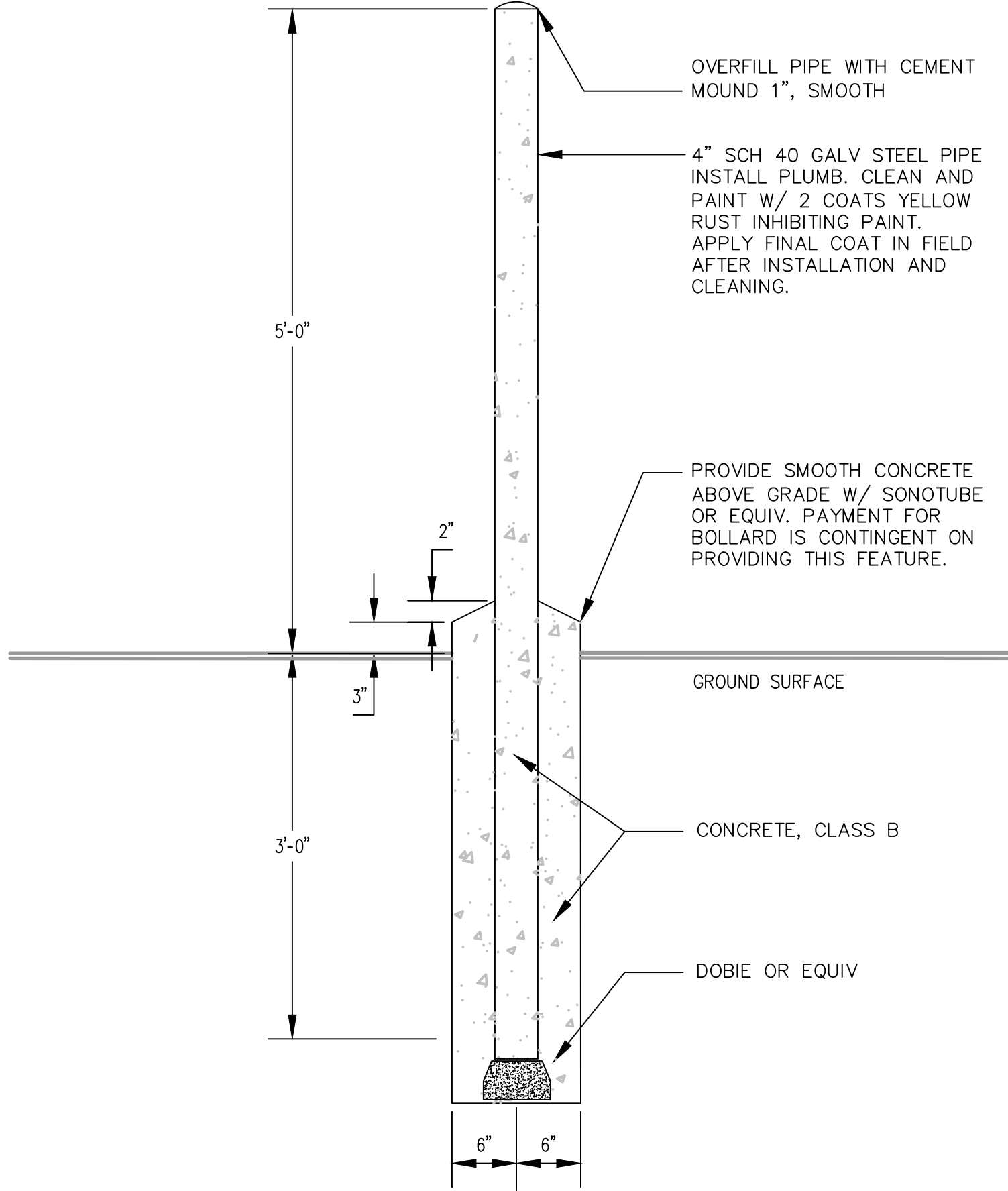
**2 DIRECT BURIED CONDUIT**  
SCALE: NTS



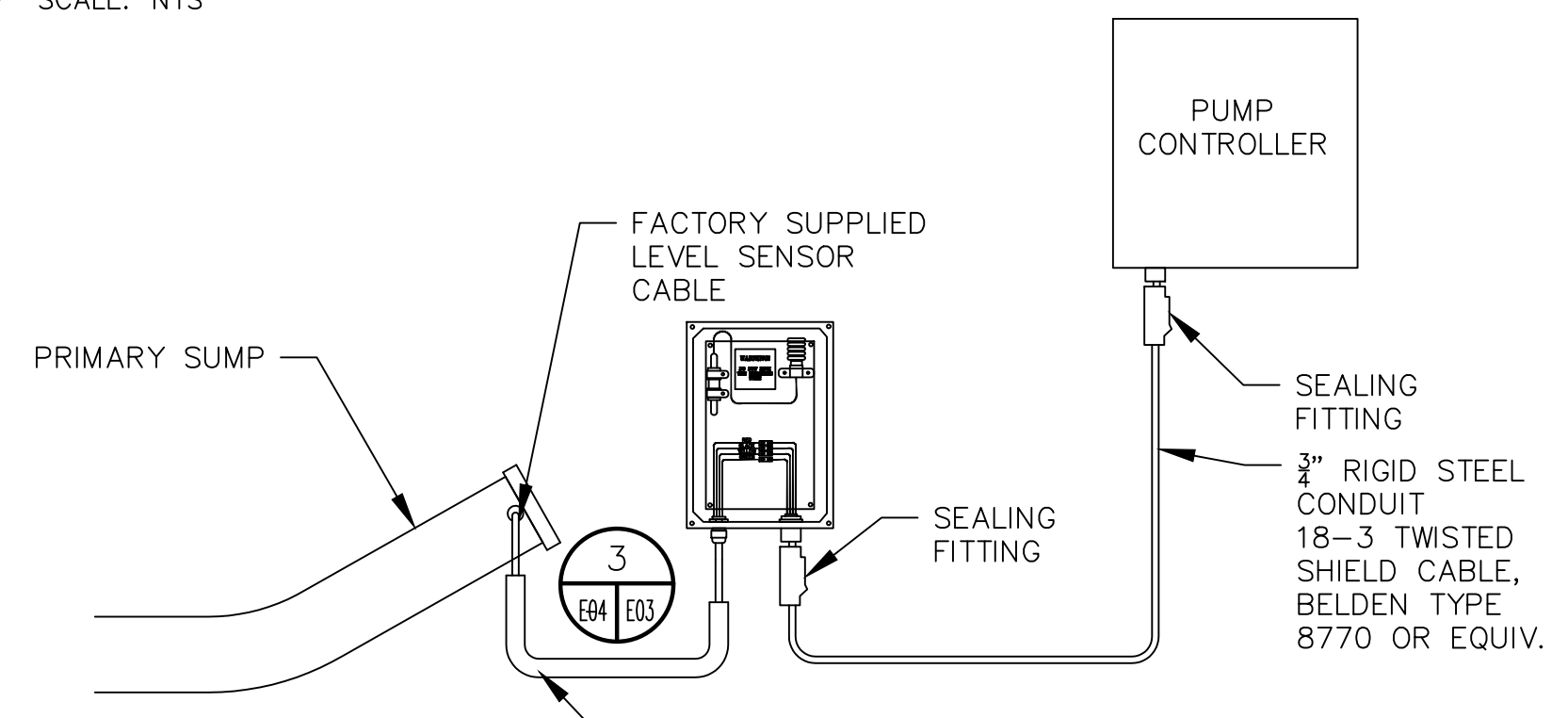
**3 CONDUIT GROUNDING**  
SCALE: NTS



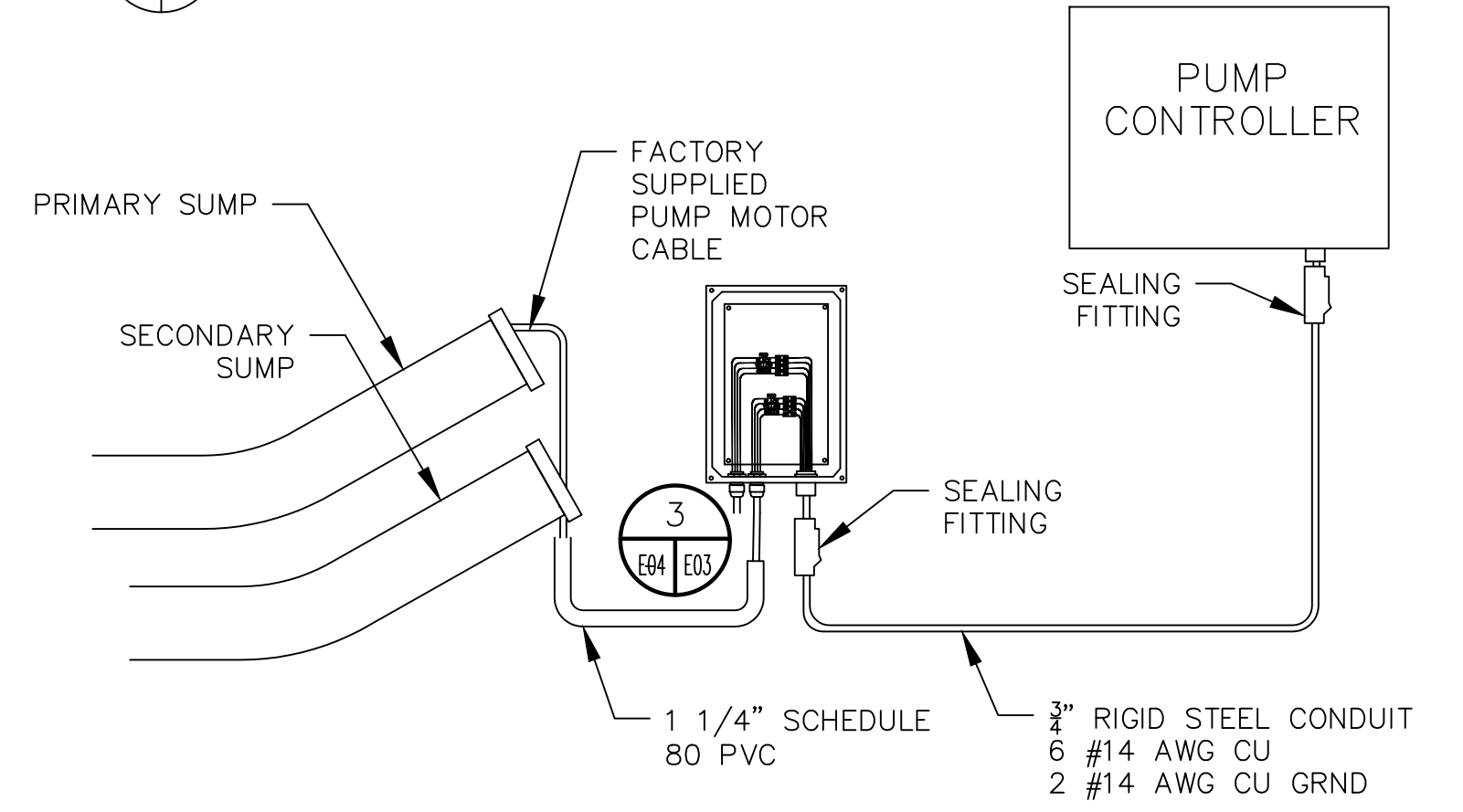
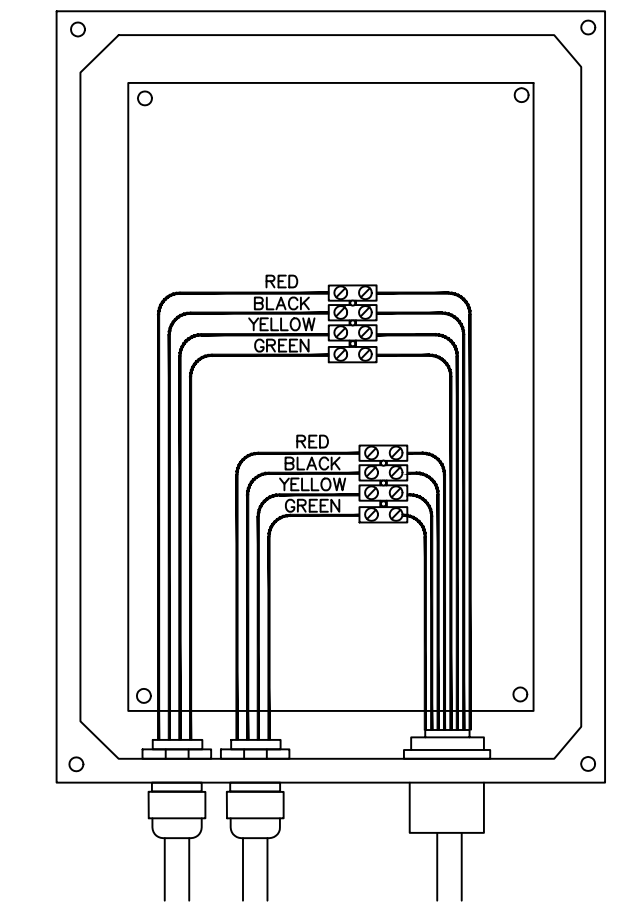
**4 RACK SUPPORT & ASSOCIATED FITTING**  
SCALE: NTS



**5 PERMANENT PROTECTION POST**  
SCALE: NTS



**6 BREAKOUT JUNCTION BOX FOR LEVEL SENSOR CABLE**  
SCALE: NTS



**7 BREAKOUT JUNCTION BOX FOR PUMP MOTOR LEADS**  
SCALE: NTS

**SHEET NOTES:**

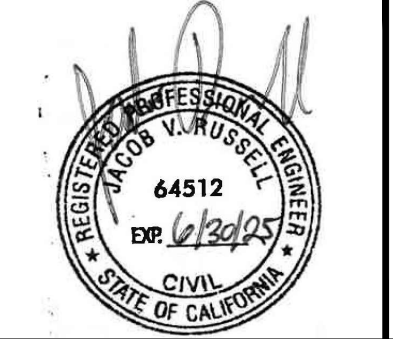
1. INSTALL AND TERMINATE SECONDARY SUMP PUMP CONDUCTORS WHETHER OR NOT PUMP IS USED.

N:\SAN JOAQUIN\NORTH COUNTY\LAU24.1294\NC MODULE 7 LINER AND PHASE 1 CLOSURE4\_CAD\E01 ELECTRICAL DETAILS.DWG March 6, 2025 - 2:56 PM BY: GLA USER

This drawing has not been published but rather has been prepared by Geo-Logic Associates, Inc. for use by the client named in the title block, solely in respect of the construction operation, and maintenance of the facility named in the title block. Geo-Logic Associates, Inc. shall not be liable for the use of this drawing on any other facility or for any other purpose.

REV. NO.	DATE	DESCRIPTION	APPROVED BY
A	3/05/2025	ISSUED FOR CONSTRUCTION	JVR

DATE OF ISSUE: 3/05/2025  
 DESIGNED BY: RDD  
 DRAWN BY: PLA  
 CHECKED BY: JVR  
 APPROVED BY: JVR



**Geo-Logic ASSOCIATES**

143E Spring Hill Drive, Grass Valley, CA 95945  
 geo-logic.com | 530.272.2448

**SAN JOAQUIN COUNTY**

SAN JOAQUIN COUNTY  
 DEPARTMENT OF PUBLIC WORKS  
 SOLID WASTE

NORTH COUNTY SANITARY LANDFILL  
**CONSTRUCTION OF MODULE 7**  
 SAN JOAQUIN COUNTY, CALIFORNIA  
**TYPICAL CONSTRUCTION DETAILS**

DRAWING NO. **E04**  
 PROJECT NO. AU24.1294.00

ISSUED FOR CONSTRUCTION

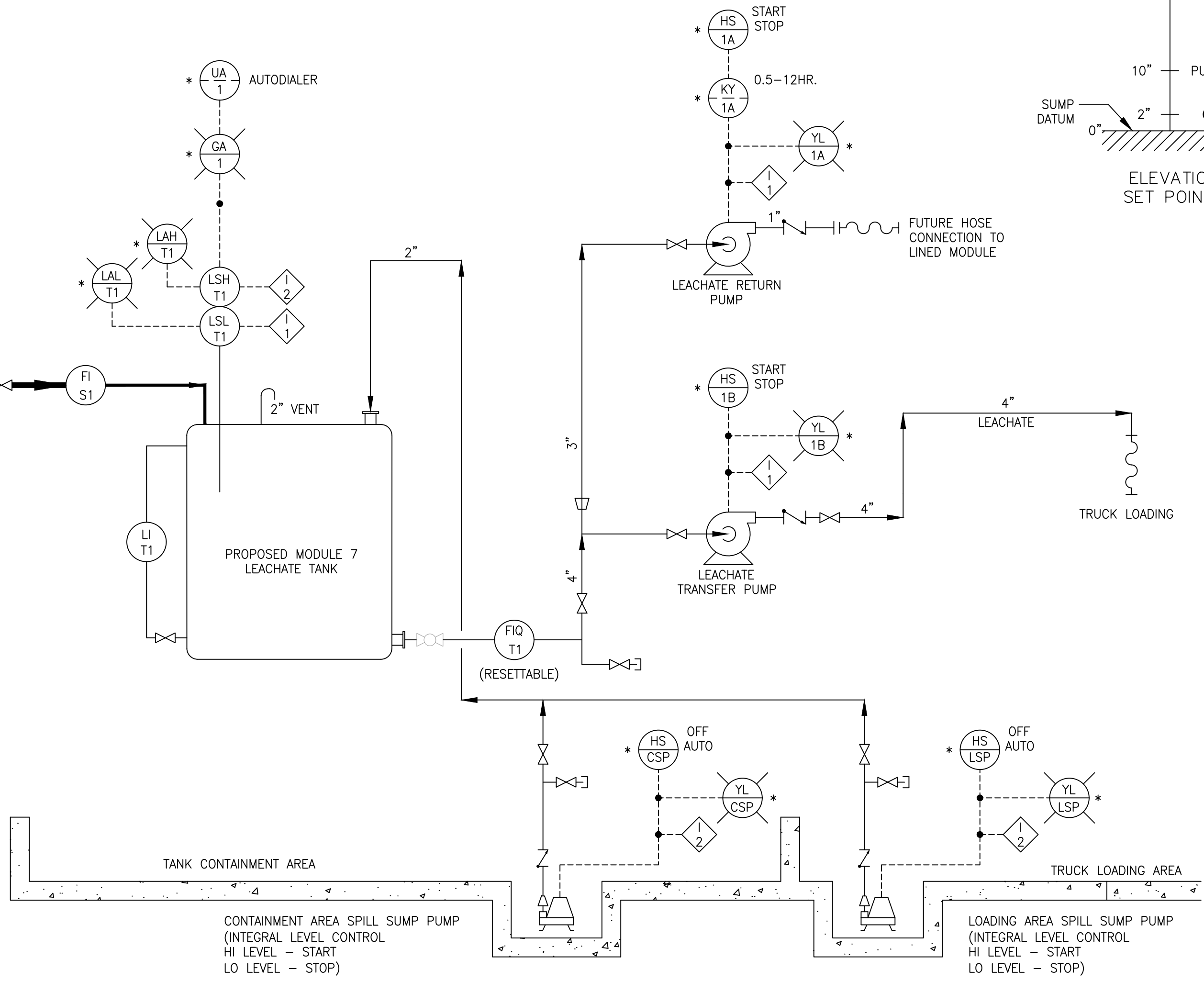
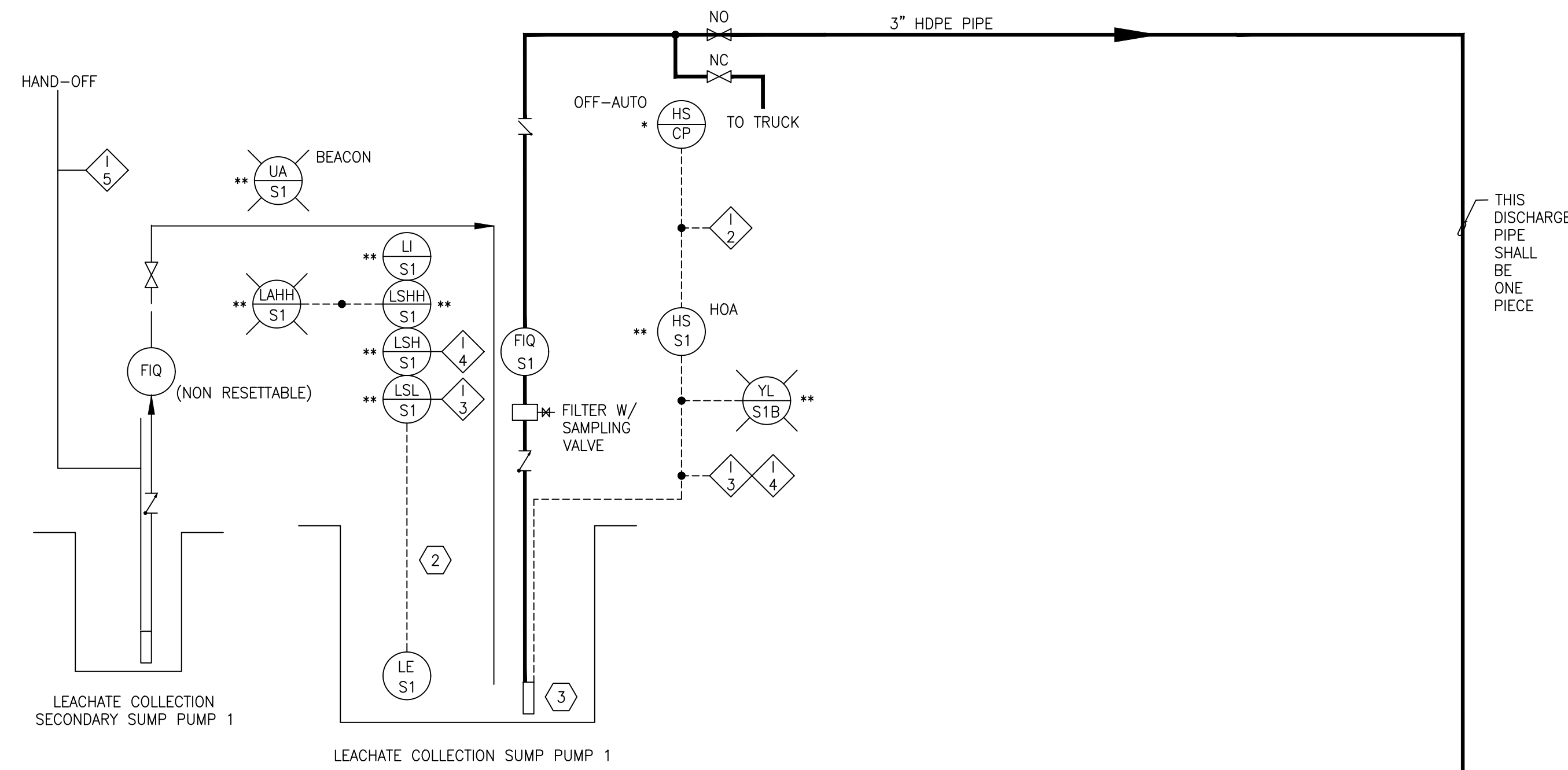
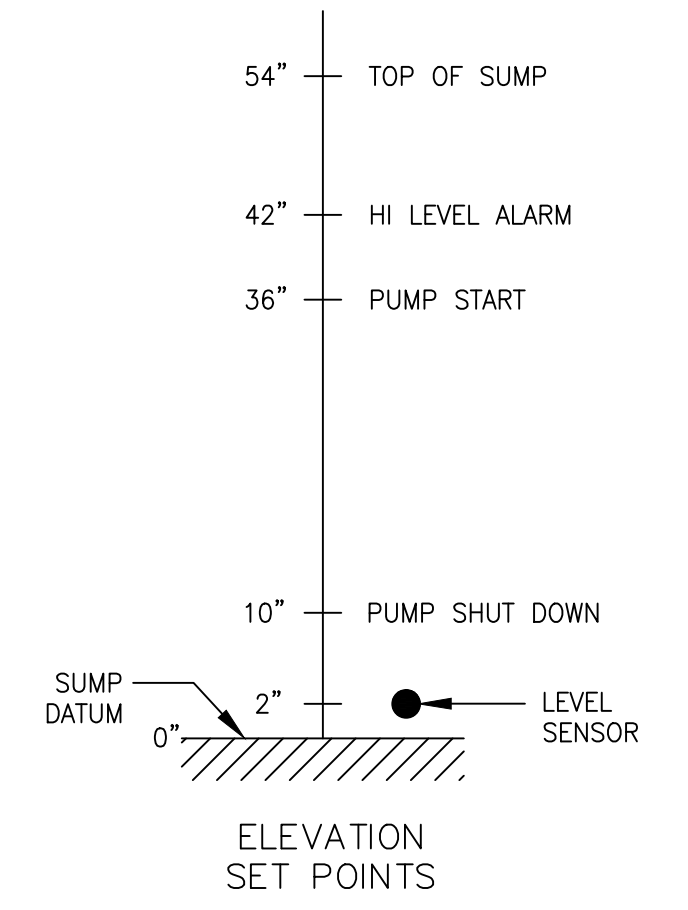
SYMBOLS

- AUTODIALER
- GENERAL ALARM
- LEVEL ALARM HI
- LEVEL ALARM HI-HI
- OPERATIONAL LIGHTS
- LEVEL SENSOR ELEMENT
- LEVEL INDICATOR
- LEVEL SWITCH HI-HI
- LEVEL SWITCH HI
- LEVEL SWITCH LO
- HAND SWITCH
- FLOW INDICATOR
- FLOW INDICATOR/TOTALIZER
- TIME DELAY RELAY
- ELECTRICAL INTERLOCK (SEE INTERLOCK LIST)
- \* INDICATES DEVICE IS LOCATED AT LEACHATE TANK CONTROL PANEL
- \*\* INDICATES DEVICE IS LOCATED AT LEACHATE COLLECTION SUMP PUMP 1 CONTROL PANEL

- INTERLOCK LIST**
- LEACHATE TANK 1 LEVEL LOW STOP LEACHATE TRANSFER PUMP STOP LEACHATE RETURN PUMP
  - LEACHATE TANK 1 LEVEL HIGH STOP LEACHATE COLLECTION SUMP PUMP 1&2 STOP CONTAINMENT AREA SPILL SUMP PUMP STOP TRUCK LOADING AREA SPILL SUMP PUMP INITIATE ALARM
  - LEACHATE COLLECTION SUMP 1 LEVEL LOW STOP LEACHATE COLLECTION SUMP PUMP 1
  - LEACHATE COLLECTION SUMP 1 LEVEL HIGH START LEACHATE COLLECTION SUMP PUMP 1

**SHEET NOTES:**

- ① REFER TO ELECTRICAL DETAILS FOR EXACT LOCATION OF DEVICES SHOWN.
- ② THE LEVEL TRANSMITTER SHALL BE INSTALLED IN A 2" PVC PIPE. A 1/4" POLYETHYLENE BUBBLER TUBE SHALL BE INSTALLED ALONG THIS 2" PVC PIPE (WRAPPED AROUND WITH 10ML CALPICO TAPE). THIS 2" PVC PIPE AND THE 1/4" PE BUBBLER TUBE SHALL BE INSTALLED IN THE 6" HDPE CARRIER PIPE.
- ③ INITIAL SETTINGS OF THE LEVEL CONTROLLER SHALL BE:



**1** LEACHATE SYSTEM – PROCESS AND INSTRUMENT DIAGRAM  
 E05 E05 SCALE: NTS

This drawing has not been published but rather has been prepared by Geo-Logic Associates, Inc. for use by the client named in the title block, solely in respect of the construction operation, and maintenance of the facility named in the title block. Geo-Logic Associates, Inc. shall not be liable for the use of this drawing on any other facility or for any other purpose.

ISSUED FOR CONSTRUCTION

REV. NO.	DATE	DESCRIPTION	APPROVED BY
A	3/05/2025	ISSUED FOR CONSTRUCTION	JVR

DATE OF ISSUE: 3/05/2025  
 DESIGNED BY: RDD  
 DRAWN BY: PLA  
 CHECKED BY: JVR  
 APPROVED BY: JVR



143E Spring Hill Drive, Grass Valley, CA 95945  
 geo-logic.com | 530.272.2448



SAN JOAQUIN COUNTY  
 DEPARTMENT OF PUBLIC WORKS  
 SOLID WASTE

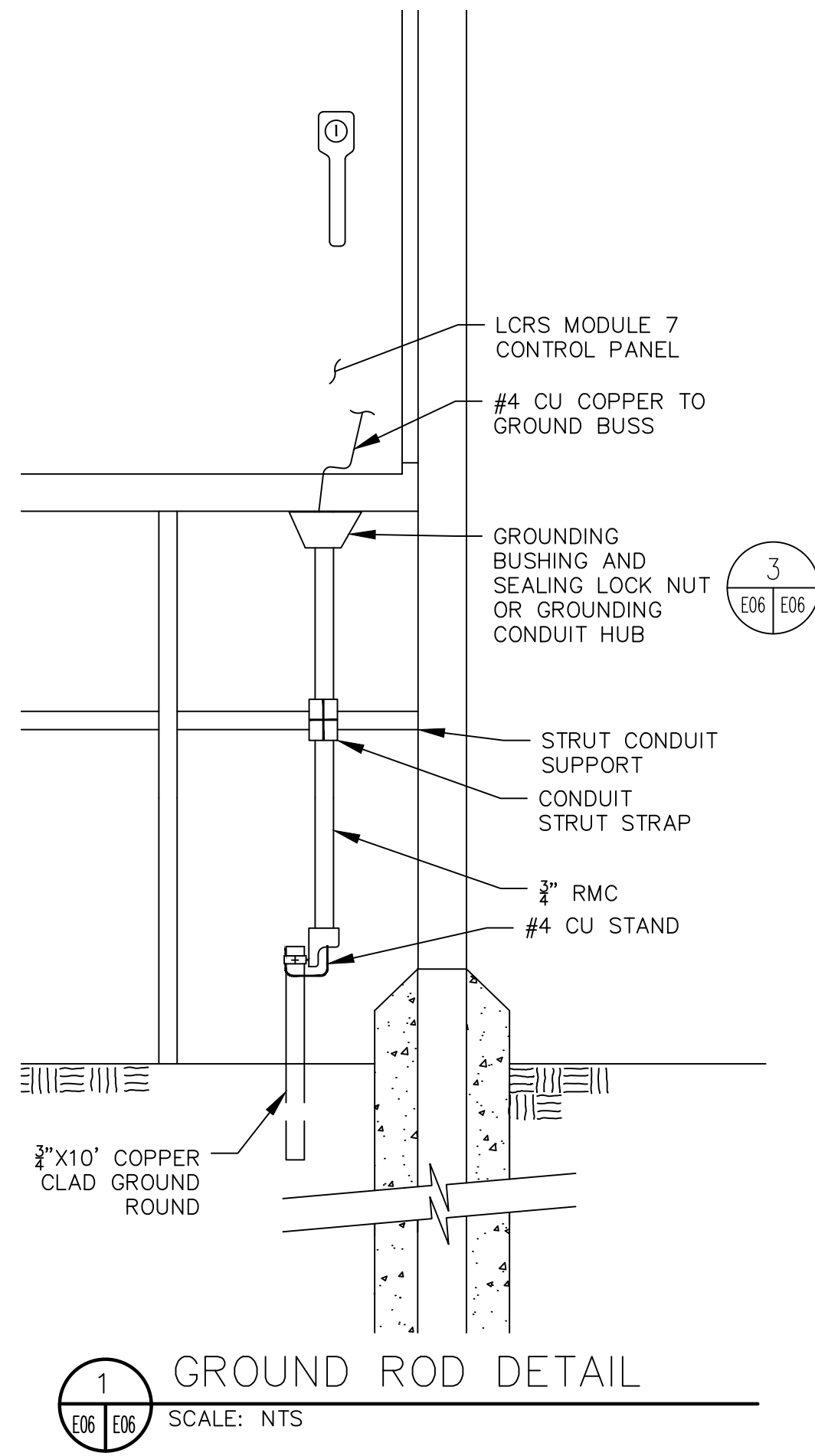
NORTH COUNTY SANITARY LANDFILL  
**CONSTRUCTION OF MODULE 7**  
 SAN JOAQUIN COUNTY, CALIFORNIA  
**LEACHATE SYSTEM P&ID**

DRAWING NO.  
**E05**  
 PROJECT NO.  
 AU24.1294.00

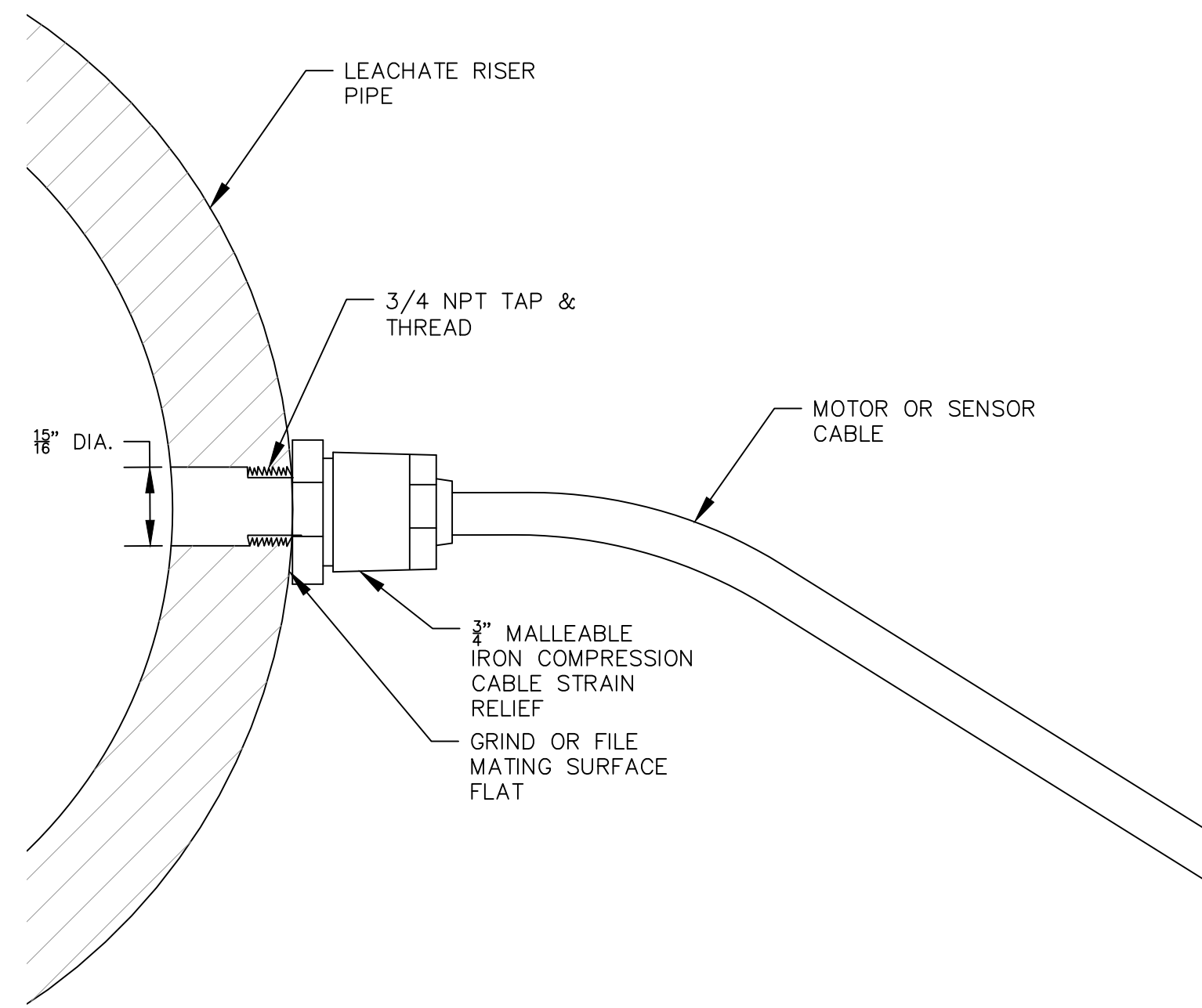
N:\SAN JOAQUIN\NORTH COUNTY\LAU24.1294\NC MODULE 7 LINER AND PHASE 1\CLOSURE4\_CAD\E01 ELECTRICAL DETAILS.DWG March 6, 2025 - 2:56 PM BY: GLA USER



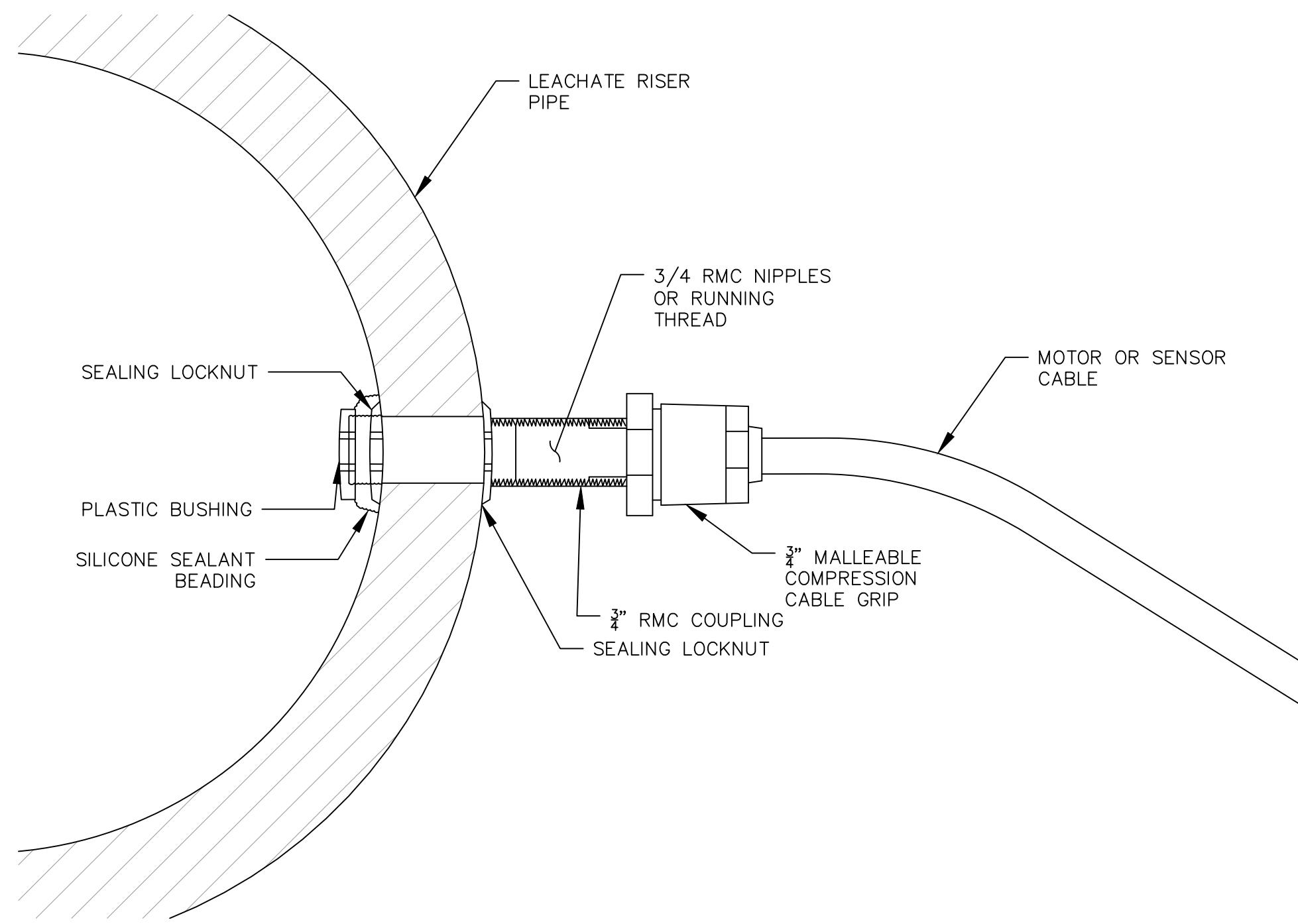
N:\SAN JOAQUIN\NORTH COUNTY LEA\24.1294 NC MODULE 7 LINER AND PHASE 1 CLOSURE4\_CAD\E01 ELECTRICAL DETAILS.DWG March 6, 2025 - 2:56 PM BY: GLA USER



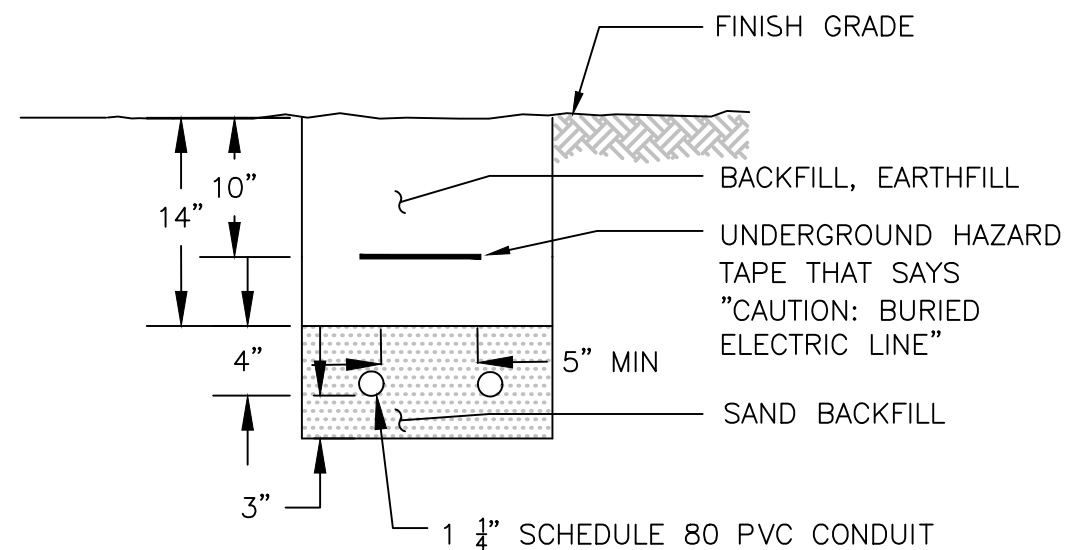
1 GROUND ROD DETAIL  
SCALE: NTS



2 PUMP & SENSOR CABLE/  
RISER CONNECTION  
HDPE TAP & THREAD OPTION  
SCALE: NTS



3 PUMP & SENSOR CABLE/  
RISER CONNECTION  
SLEEVED NIPPLE OPTION  
SCALE: NTS



- NOTES:
- ALL DIMENSIONS ARE MINIMUM UNLESS OTHERWISE INDICATED ON THE DRAWINGS.
  - REFER TO SPECIFICATIONS FOR TRENCH BACKFILL REQUIREMENTS.
  - BACKFILL SAND SHALL BE CLEAN WITH NO CLAY OR ORGANIC MATERIALS. IT SHALL BE 95% DRY-IN-PLACE DENSITY AS PER ASTM D-1557. IT SHALL BE QUAIL HALLOW UTILITY TRENCH SAND OR PECKER ISLAND FILL SAND.

4 BREAKOUT BOX TO RISER  
DIRECT BURIED CONDUIT  
SCALE: NTS

This drawing has not been published but rather has been prepared by Geo-Logic Associates, Inc. for use by the client named in the title block, solely in respect of the construction operation, and maintenance of the facility named in the title block. Geo-Logic Associates, Inc. shall not be liable for the use of this drawing on any other facility or for any other purpose.

REV. NO.	DATE	DESCRIPTION	APPROVED BY
A	3/05/2025	ISSUED FOR CONSTRUCTION	JVR

DATE OF ISSUE: 3/05/2025  
DESIGNED BY: RDD  
DRAWN BY: PLA  
CHECKED BY: JVR  
APPROVED BY: JVR



143E Spring Hill Drive, Grass Valley, CA 95945  
geo-logic.com | 530.272.2448




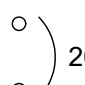
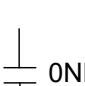

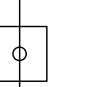
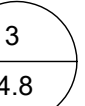
SAN JOAQUIN COUNTY  
DEPARTMENT OF PUBLIC WORKS  
SOLID WASTE

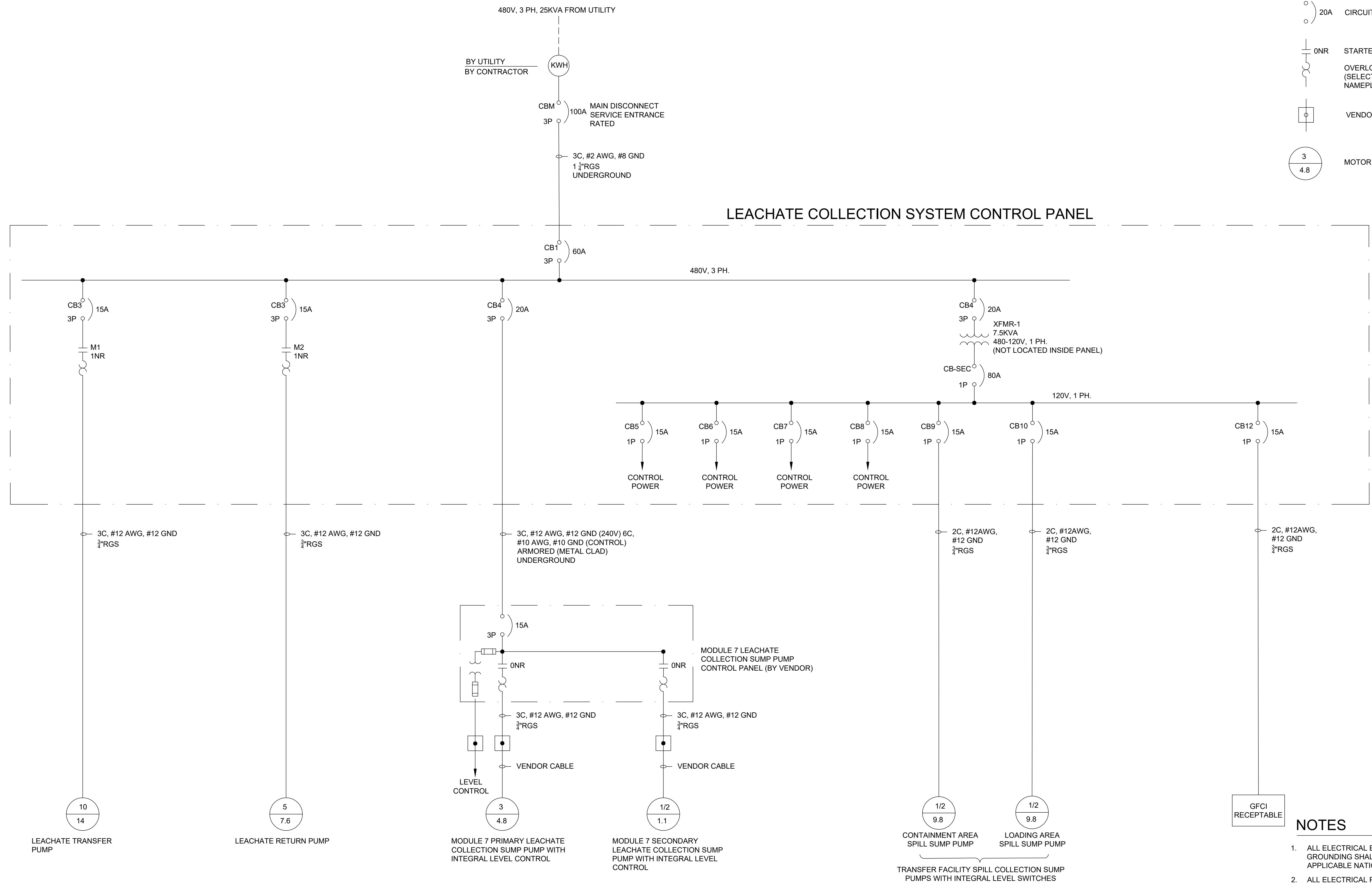
NORTH COUNTY SANITARY LANDFILL  
**CONSTRUCTION OF MODULE 7**  
SAN JOAQUIN COUNTY, CALIFORNIA  
**CONSTRUCTION DETAILS BREAKOUT BOX  
DETAILS**

ISSUED FOR CONSTRUCTION  
DRAWING NO. **E06**  
PROJECT NO. AU24.1294.00

N:\SAN JOAQUIN\NORTH COUNTY\LA24.1294\NC MODULE 7 LINER AND PHASE 1 CLOSURE4\_CAD\E01 ELECTRICAL DETAILS.DWG March 6, 2025 - 2:56 PM BY: GLA USER

**LEGEND**

-  KILOWATTHOUR METER
-  20A CIRCUIT BREAKER, RATING INDICATED
-  ONR STARTER, NEMA SIZE INDICATED
-  OVERLOAD HEATER (SELECT SETTING BASED ON NAMEPLATE FLA)
-  VENDOR SUPPLIED BREAKOUT BOX
-  MOTOR, HORSEPOWER, AND FLA INDICATED



**NOTES**

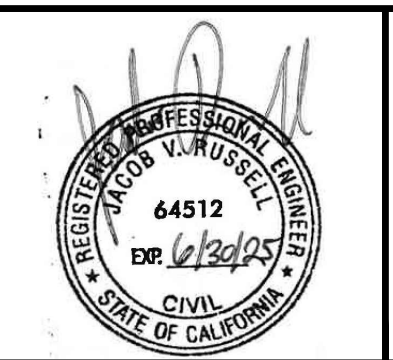
1. ALL ELECTRICAL EQUIPMENT, CONDUIT, CONDUCTORS, AND GROUNDING SHALL BE INSTALLED IN ACCORDANCE WITH ALL APPLICABLE NATIONAL, STATE, AND LOCAL CODES.
2. ALL ELECTRICAL PANELS TO BE UL LISTED.

**ISSUED FOR CONSTRUCTION**

This drawing has not been published but rather has been prepared by Geo-Logic Associates, Inc. for use by the client named in the title block, solely in respect of the construction operation, and maintenance of the facility named in the title block. Geo-Logic Associates, Inc. shall not be liable for the use of this drawing on any other facility or for any other purpose.

REV. NO.	DATE	DESCRIPTION	APPROVED BY
A	3/05/2025	ISSUED FOR CONSTRUCTION	JVR

DATE OF ISSUE: 3/05/2025  
 DESIGNED BY: RDD  
 DRAWN BY: PLA  
 CHECKED BY: JVR  
 APPROVED BY: JVR



143E Spring Hill Drive, Grass Valley, CA 95945  
 geo-logic.com | 530.272.2448

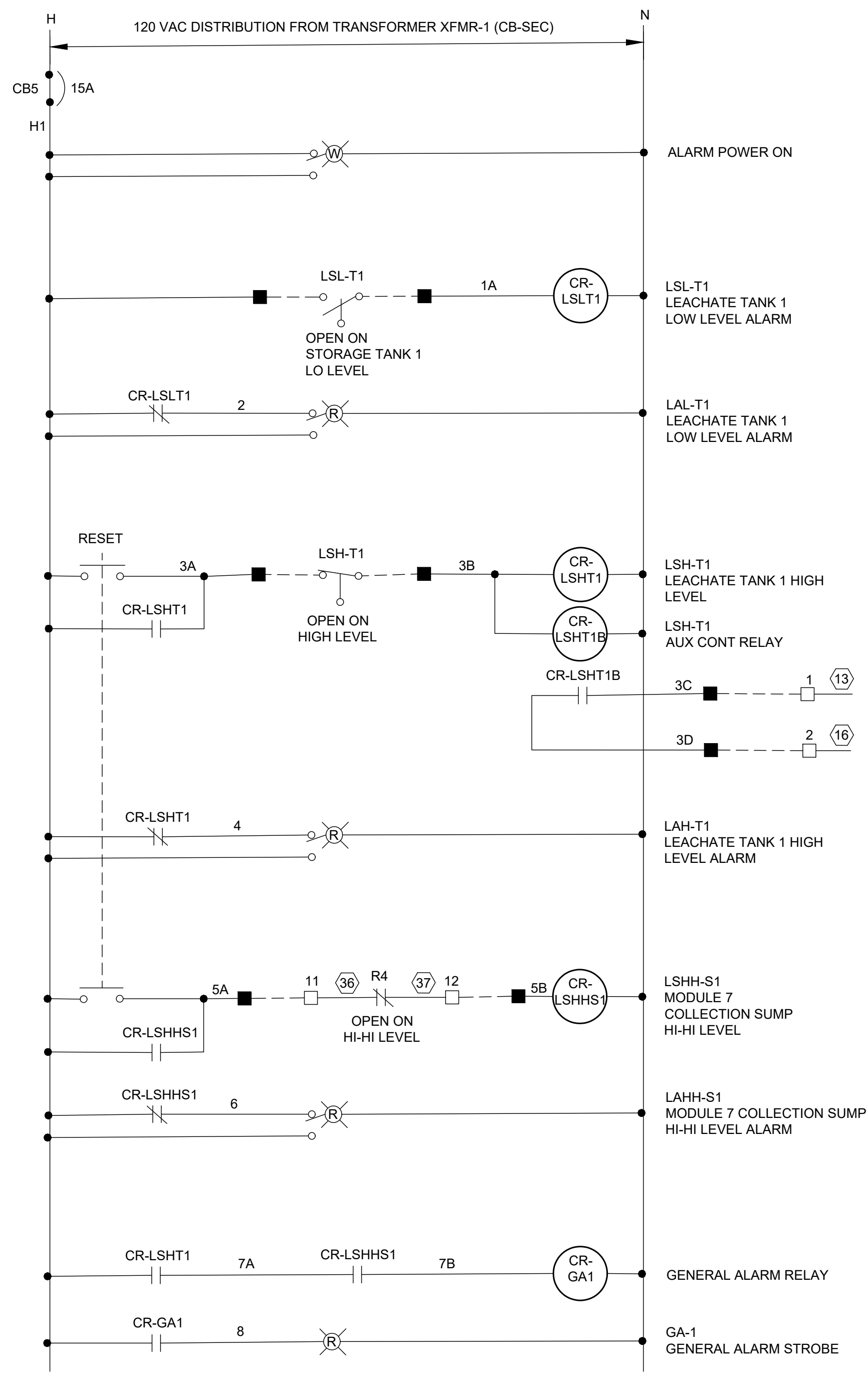


SAN JOAQUIN COUNTY  
 DEPARTMENT OF PUBLIC WORKS  
 SOLID WASTE

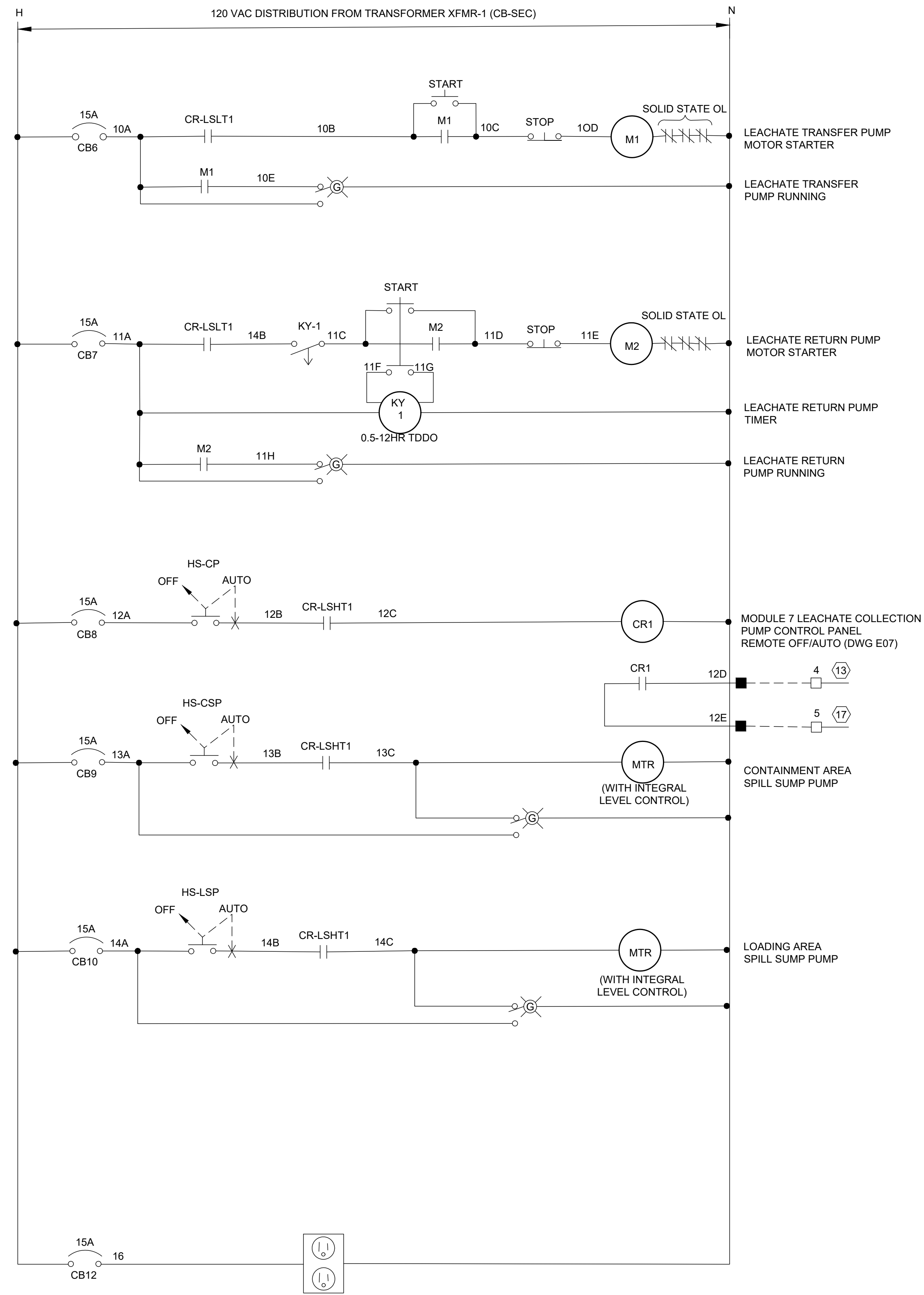
NORTH COUNTY SANITARY LANDFILL  
**CONSTRUCTION OF MODULE 7**  
 SAN JOAQUIN COUNTY, CALIFORNIA  
**ELECTRICAL ONE LINE DIAGRAM**

DRAWING NO. **E07**  
 PROJECT NO. AU24.1294.00

N:\SAN JOAQUIN\NORTH COUNTY\LAU24.1294\NC MODULE 7 LINER AND PHASE 1 CLOSURE4\_CADD\01 ELECTRICAL DETAILS.DWG March 6, 2025 - 2:56 PM BY: GLA USER



**LEACHATE COLLECTION SYSTEM ALARM DIAGRAM**



**LEACHATE COLLECTION SYSTEM CONTROL DIAGRAM**

**LEGEND**

- COLLECTION SYSTEM CONTROL PANEL TERMINATION
- XX SUMP PANEL TERMINATION
- ⊗ SUMP PANEL WIRE NUMBER
- EXTERNAL FIELD WIRING

**NOTES**

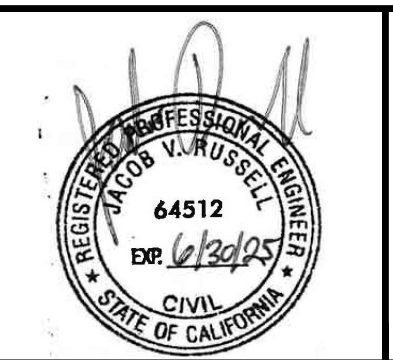
1. ALL ELECTRICAL EQUIPMENT, CONDUIT, CONDUCTORS, AND GROUNDING SHALL BE INSTALLED IN ACCORDANCE WITH ALL APPLICABLE NATIONAL, STATE, AND LOCAL CODES.
2. ALL ELECTRICAL PANELS TO BE UL LISTED.

**ISSUED FOR CONSTRUCTION**

REV. NO.	DATE	DESCRIPTION	APPROVED BY
A	3/05/2025	ISSUED FOR CONSTRUCTION	JVR

DATE OF ISSUE:	3/05/2025
DESIGNED BY:	RDD
DRAWN BY:	PLA
CHECKED BY:	JVR
APPROVED BY:	JVR



**Geo-Logic ASSOCIATES**  
 143E Spring Hill Drive, Grass Valley, CA 95945  
 geo-logic.com | 530.272.2448

**SAN JOAQUIN COUNTY**  
 DEPARTMENT OF PUBLIC WORKS  
 SOLID WASTE

**NORTH COUNTY SANITARY LANDFILL**  
**CONSTRUCTION OF MODULE 7**  
 SAN JOAQUIN COUNTY, CALIFORNIA  
**ELECTRICAL SCHEMATIC DIAGRAM**

**DRAWING NO. E08**  
**PROJECT NO. AU24.1294.00**