

CORNER RECORD

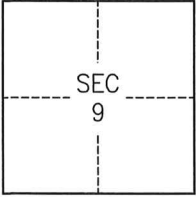
Agency Index CR-25-020
Document Number _____

City of Stockton County of San Joaquin, California

Brief Legal Description Monument found along Navy Dr. between Parcels 2 & 3, per 26-PM-85, S.J.C.R.

CORNER TYPE

COORDINATES (Optional)



C.M. WEBER GRANT

- Government Corner
- Meander
- Rancho
- Control
- Property
- Other

Date of Survey April 17th, 2024

N. _____ E. _____

Elevation _____

Units Metric U.S. Survey Foot

Horizontal Datum _____

Zone _____ Epoch Date _____

Vertical Datum _____

Complies with Public Resources Code §§8801-8819

Complies with Public Resources Code §§8890-8902

PLS Act Ref.: 8765(d) 8771 8773 Other:

Corner/Monument: Left as found Established Rebuilt Pre-Construction

Found and tagged Reestablished Referenced Post-Construction

Narrative of corner identified and monument as found, set, reset, replaced, or removed:

See sheet #2 for description(s):

SURVEYOR'S STATEMENT

This Corner Record was prepared by me or under my direction in conformance with the Professional Land Surveyors' Act on JANUARY 2ND, 2025

Signed [Signature] P.L.S. or R.C.E. No. 8366



COUNTY SURVEYOR'S STATEMENT

This Corner Record was received January 6, 2025

and examined and filed January 23, 2025

Signed James E. Hart P.L.S. or R.C.E. No. 8657

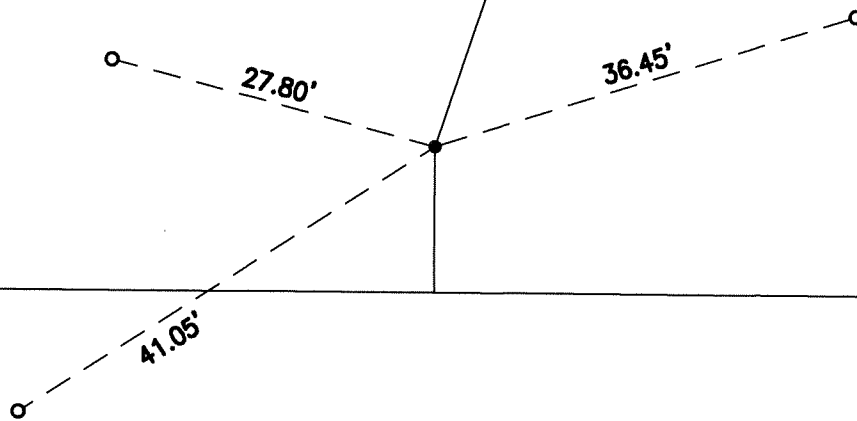
Title County Surveyor

County Surveyor's Comment



PARCEL 3
OF
26-PM-85
S.J.C.R.

PARCEL 2
OF
26-PM-85
S.J.C.R.



NAVY DRIVE

£

LEGEND:

- PM PARCEL MAP
- S.J.C.R. SAN JOAQUIN COUNTY RECORDS
- FOUND CHISELED CROSS WITH BRASS TAG L.S. 7600
- SET MAG NAIL

